



Service Quality Innovation



About Us

TTI is a customer-focused organization that designs, manufactures and delivers technology-driven products to improve our customers' processes. Our team focuses on delivering products that impact your bottom line while respecting the environment, our neighbors and employees. Several members of the TTI team have over 30 years of experience in the filtration industry. TTI's team has delivered world-class Breather, Filtration, and Elastomeric Products products to customers around the Globe in the following industries: Energy, Food & Beverage, Hydraulics, Pharmaceutical and General Industrial.

President's Message from Todd Younggreen

"As an industry entrepreneur, I set out to create businesses that are the best overall value in the industry. It is our mission at TTI to offer our customers exceptional product quality and performance with unfailing white glove service. As TTI's President, I will make you a promise that our products and services will live up to your expectations. If not, please contact me directly and we'll make it right. I appreciate your interest in the TTI product offering!"

TTI PowerGuard™ Housings Brochure

A Brochure Featuring:

- TTI's Company Overview
- PowerGuard™ Housings Datasheets



Corporate Office
11080 Irma Dr.
Northglenn, Colorado 80233 USA

Contact
Phone: + 1 303.585.0132
Email: Sales@ToddTechInc.com

Website
www.toddtechinc.com



TTI POWERGUARD™ HOUSING TABLE OF CONTENTS

TTHH 100 SERIES	TTHH 200 SERIES	TTHH HIGH CAPACITY SERIES
<u>SERIES 100</u>	<u>SERIES 200</u>	<u>626</u>
<u>SERIES 110</u>	<u>SERIES 210</u>	<u>107</u>
<u>SERIES 120</u>	<u>SERIES 220</u>	<u>207</u>
<u>SERIES 130</u>	<u>SERIES 230</u>	



TTI's Exclusive Partnerships with Filtration Industry Leaders

Our Product Line History

TTI's PowerGuard™ housing line is manufactured in Germany with premium German components and assembled in the USA. TTI has leveraged the 58 years of Hydraulic manufacturing expertise of FG Industrial Filtration (Formerly Mahle) to deliver the PowerGuard™ product line to the North American marketplace. All TTI Simplex and Duplex Housings are available standard with a bypass valve, visual indicator, SAE connections and produced to be highly serviceable. The TTI housing line provides the versatility for intermittent or continual flow operations, while offering a range of flow and pressure ratings compatible with inline pressurized systems and return line filtration.

CALL US TODAY FOR CUSTOM REQUESTS
OR TO FIND SOLUTIONS WITH YOUR CURRENT PROCESS

TTI excels at providing custom solutions
for OEM's in several different industries.

Give TTI a call at **[\(303\) 585-0132](tel:3035850132)** to discuss how
you can leverage our know-how to create a custom
solution for your specific application.

Series 100 Simplex Housing

TTI's PowerGuard™ housing line is manufactured in Germany with premium German components and assembled in the USA. All TTI Housings are available standard with a bypass valve, visual indicator, SAE connections and produced to be highly serviceable. The TTI housing line provides the versatility for intermittent or continual flow operations, while offering a range of flow and pressure ratings compatible with inline pressurized systems and return line filtration.

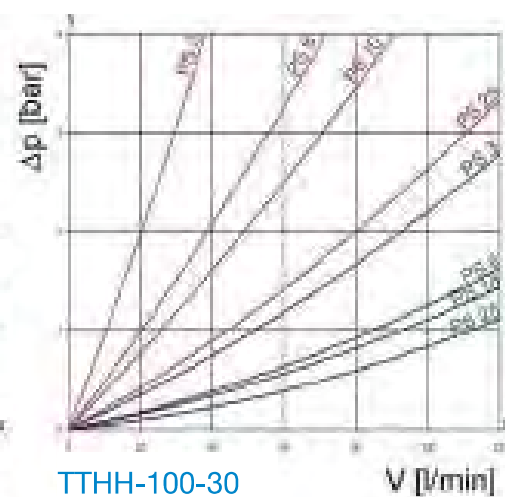
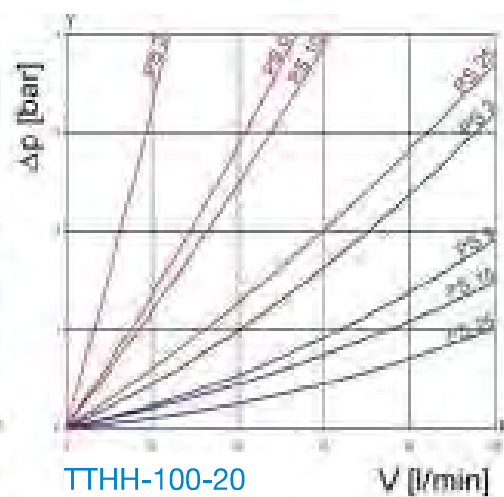
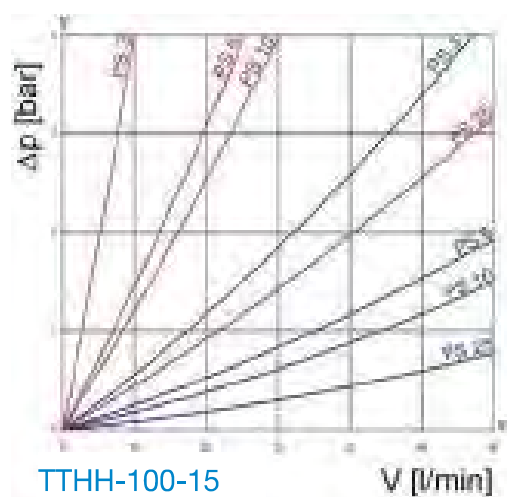


Simplex Aluminum
PowerGuard Housing

SPECIFICATIONS

- Nominal working pressure - 900 PSI
- Visual indicator for element change out standard - 32 PSI
- Automatic bypass valve standard - 50 PSI Bypass Valve
- Operating temperature: -22°F to 248°F

Flow Characteristics



Fluid Viscosity

190 mm²/s 33 mm²/s

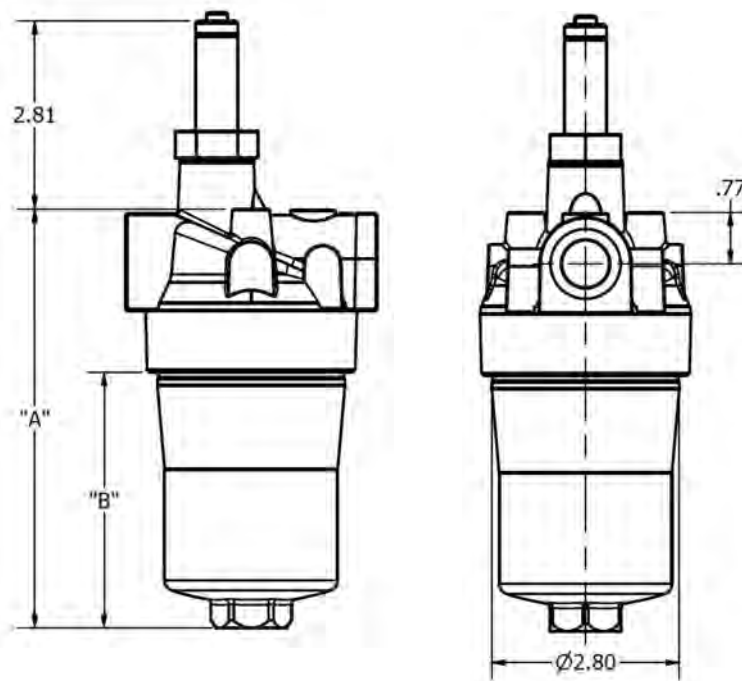
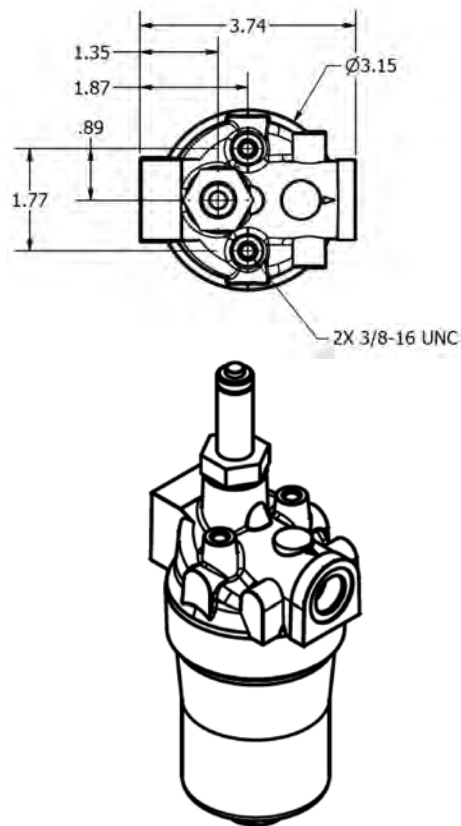
Series 100 Simplex Housing

Top Applications

- Hydraulic systems – hydraulic oil
- Gas turbines – turbine oil
- Gearbox lube systems – gear oil
- Machine Coolant

Top Industries

- Power Generation
- Steel Mills
- Pulp & Paper
- Mining



Dimensions in Inches

PART NUMBER*	"A" Height	"B" Bowl Length	INLET OUTLET
TTHH-100-15-VBB	6.5	4.1	SAE-12
TTHH-100-20-VBB	8.8	6.4	SAE-12
TTHH-100-30-VBB	12.4	10	SAE-12

3 Material Ordering Options:
 V/E/X : Visual / Electrical / None
 B / X: Bypass / None
 B / V: Buna / Viton

For example:
 TTHH-100-15-VBB: Series 100 Housing, 15gpm nominal flow rate, Visual Indicator, Bypass Valve, Buna-N Seals

Series 110 Simplex Housing

TTI's PowerGuard™ housing line is manufactured in Germany with premium German components and assembled in the USA. All TTI Housings are available standard with a bypass valve, visual indicator, SAE connections and produced to be highly serviceable. The TTI housing line provides the versatility for intermittent or continual flow operations, while offering a range of flow and pressure ratings compatible with inline pressurized systems and return line filtration.

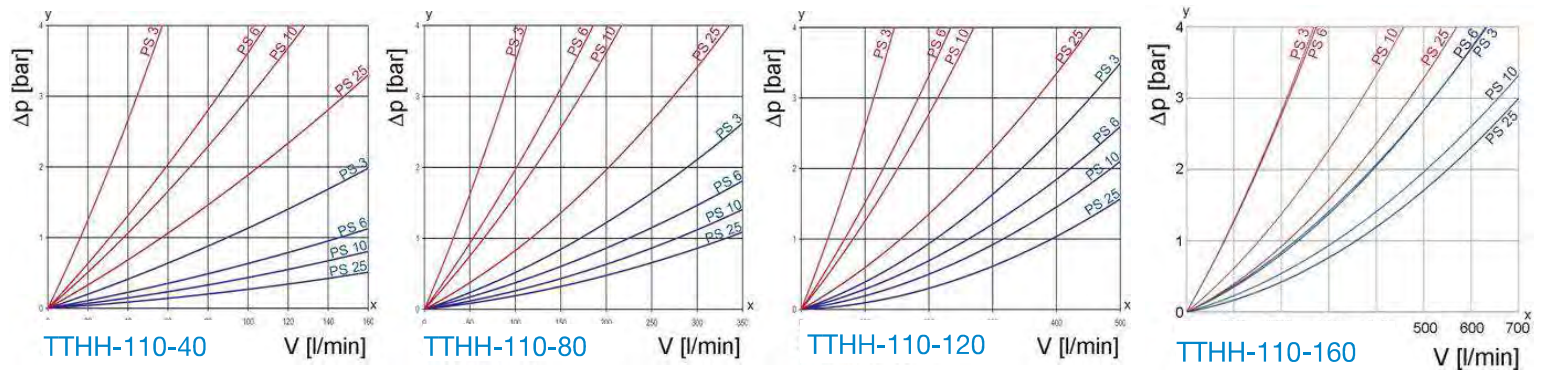


Simplex Aluminum
PowerGuard Housing

SPECIFICATIONS

- Nominal working pressure - 450 PSI
- Visual indicator for element change out standard - 32 PSI
- Automatic bypass valve standard - 50 PSI Bypass Valve
- Operating temperature: -22°F to 248°F

Flow Characteristics



Fluid Viscosity

190 mm²/s 33 mm²/s

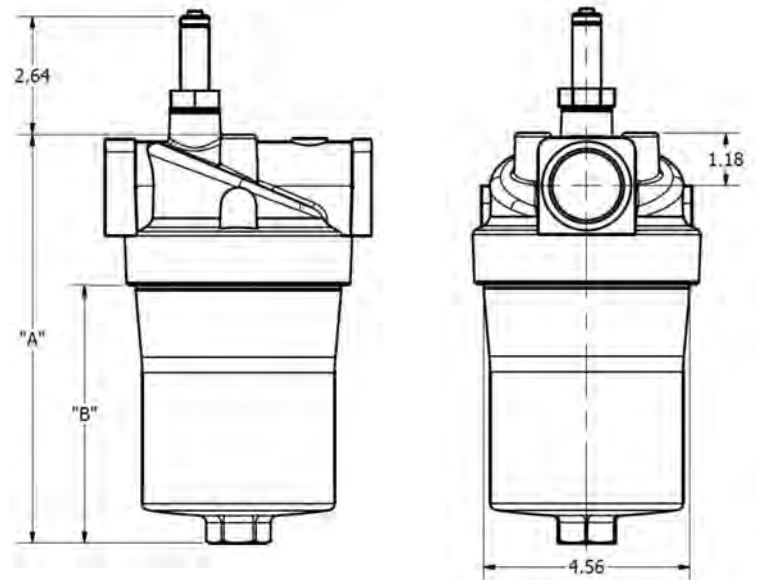
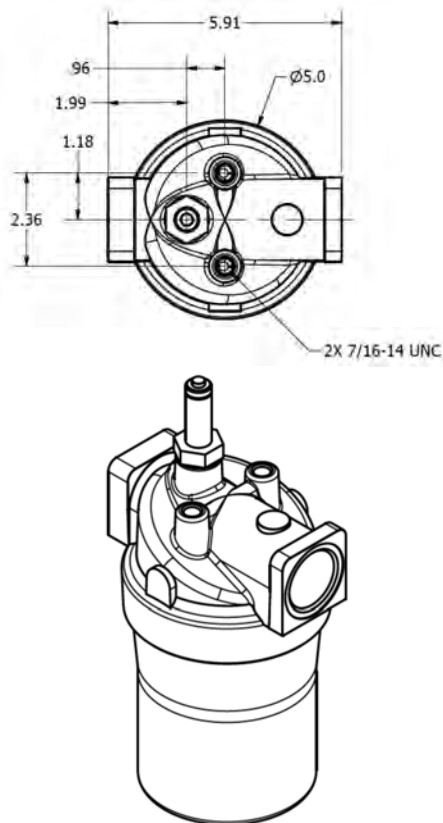
Series 110 Simplex Housing

Top Applications

- Hydraulic systems – hydraulic oil
- Gas turbines – turbine oil
- Gearbox lube systems – gear oil
- Machine Coolant

Top Industries

- Power Generation
- Steel Mills
- Pulp & Paper
- Mining



Dimensions in Inches

PART NUMBER*	"A" Height	"B" Bowl Length	INLET OUTLET
TTHH-110-40-VBB	9.1	5.7	SAE-20
TTHH-110-80-VBB	13.6	10.5	SAE-20
TTHH-110-120-VBB	18.2	14.9	SAE-20
TTHH-110-160-VBB	23.7	20.3	SAE-20

3 Material Ordering Options:
 V/E/X : Visual / Electrical / None
 B / X: Bypass / None
 B / V: Buna / Viton

For example:
 TTHH-110-40-VBB: Series 110 Housing, 40gpm nominal flow rate, Visual Indicator, Bypass Valve, Buna-N Seals

Series 120 Simplex Housing

TTI's PowerGuard™ housing line is manufactured in Germany with premium German components and assembled in the USA. All TTI Housings are available standard with a bypass valve, visual indicator, SAE connections and produced to be highly serviceable. The TTI housing line provides the versatility for intermittent or continual flow operations, while offering a range of flow and pressure ratings compatible with inline pressurized systems and return line filtration.

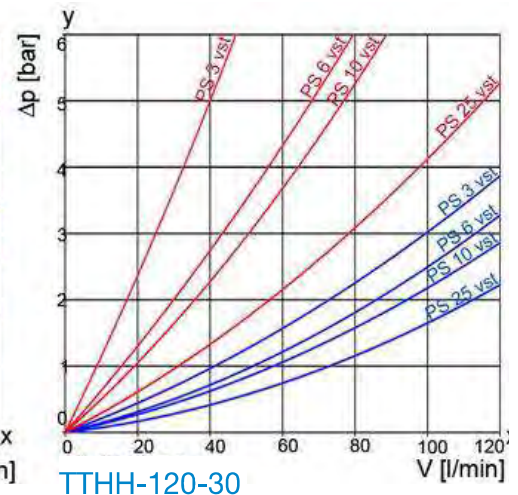
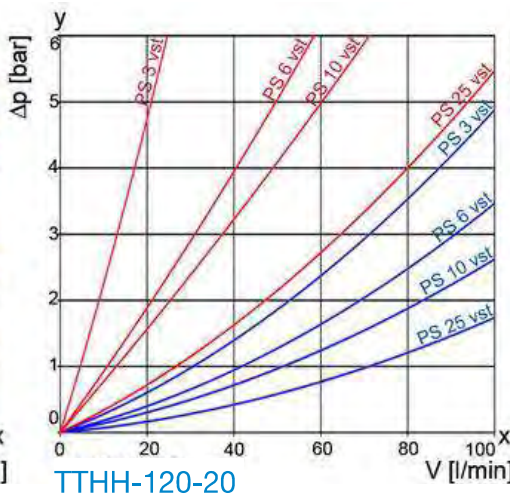
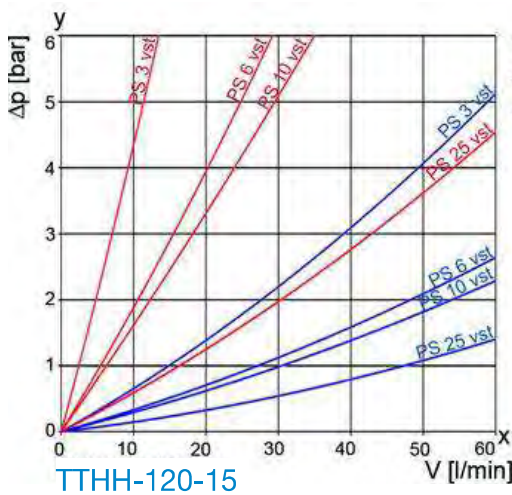


Simplex Steel
PowerGuard Housing

SPECIFICATIONS

- Nominal working pressure - 4500 PSI
- Visual indicator for element change out standard - 72 PSI
- Automatic bypass valve standard - 101 PSI Bypass Valve
- Operating temperature: -22°F to 248°F

Flow Characteristics



Fluid Viscosity

190 mm²/s 33 mm²/s

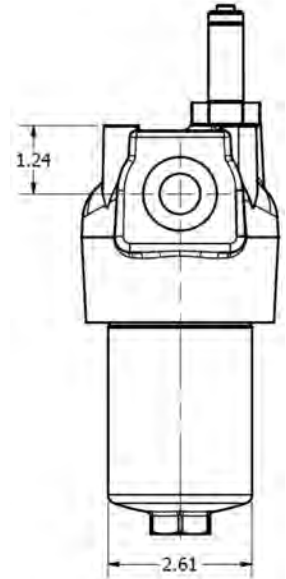
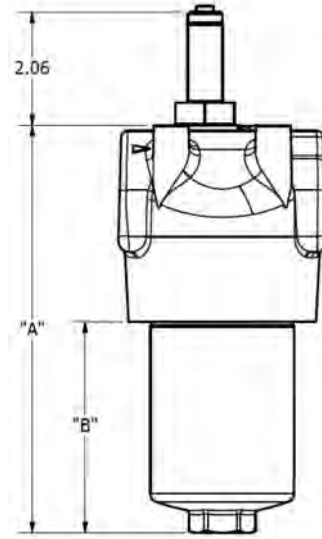
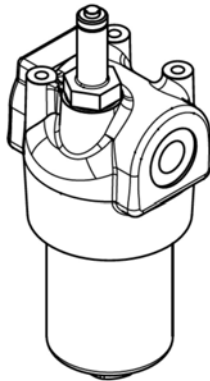
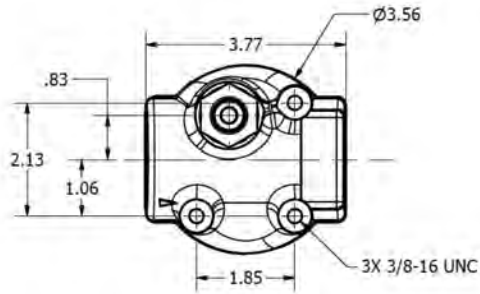
Series 120 Simplex Housing

Top Applications

- Hydraulic systems – hydraulic oil
- Gas turbines – turbine oil
- Gearbox lube systems – gear oil
- Machine Coolant

Top Industries

- Power Generation
- Steel Mills
- Pulp & Paper
- Mining



Dimensions in Inches

PART NUMBER*	"A" Height	"B" Bowl Length	INLET OUTLET
TTHH-120-15-VBB	7.4	3.9	SAE-12
TTHH-120-20-VBB	10.5	6.9	SAE-12
TTHH-120-30-VBB	13.5	9.9	SAE-12

3 Material Ordering Options:
 V/E/X : Visual / Electrical / None
 B / X: Bypass / None
 B / V: Buna / Viton

For example:
 TTHH-120-15-VBB: Series 120 Housing, 15gpm nominal flow rate, Visual Indicator, Bypass Valve, Buna-N Seals

Series 130 Simplex Housing

TTI's PowerGuard™ housing line is manufactured in Germany with premium German components and assembled in the USA. All TTI Housings are available standard with a bypass valve, visual indicator, SAE connections and produced to be highly serviceable. The TTI housing line provides the versatility for intermittent or continual flow operations, while offering a range of flow and pressure ratings compatible with inline pressurized systems and return line filtration.

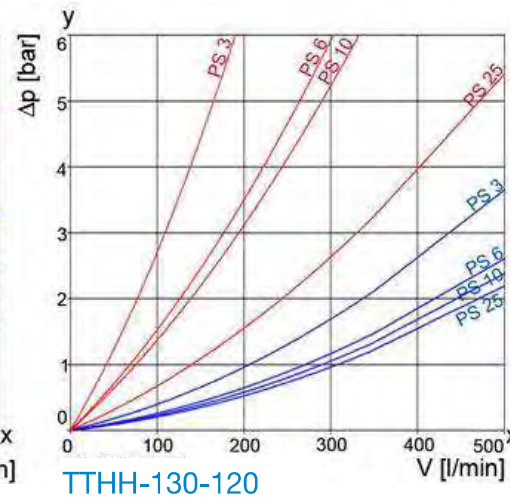
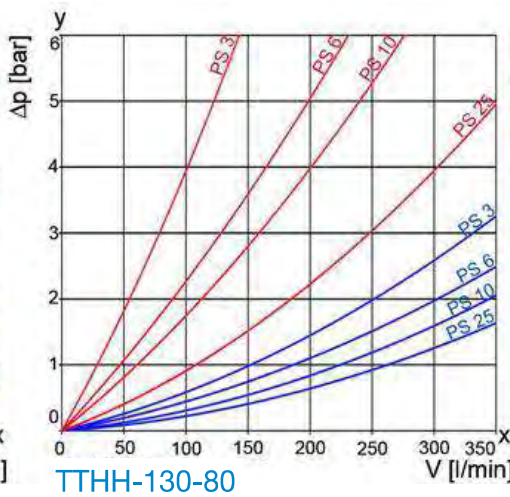
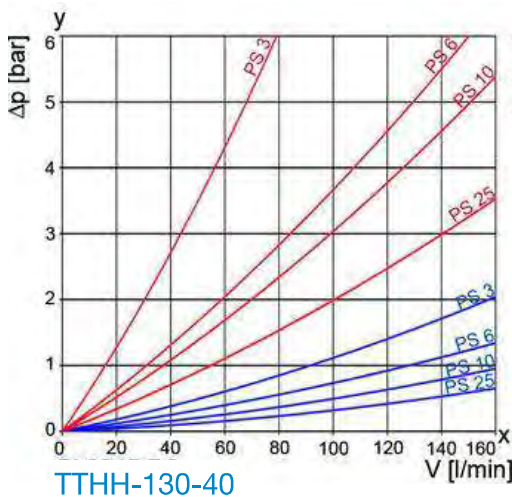


Simplex Steel
PowerGuard Housing

Specifications

- Nominal working pressure - 3000 PSI
- Visual indicator for element change out standard - 72 PSI
- Automatic bypass valve standard - 101 PSI Bypass Valve
- Operating temperature: -22°F to 248°F

Flow Characteristics



Fluid Viscosity

190 mm²/s 33 mm²/s

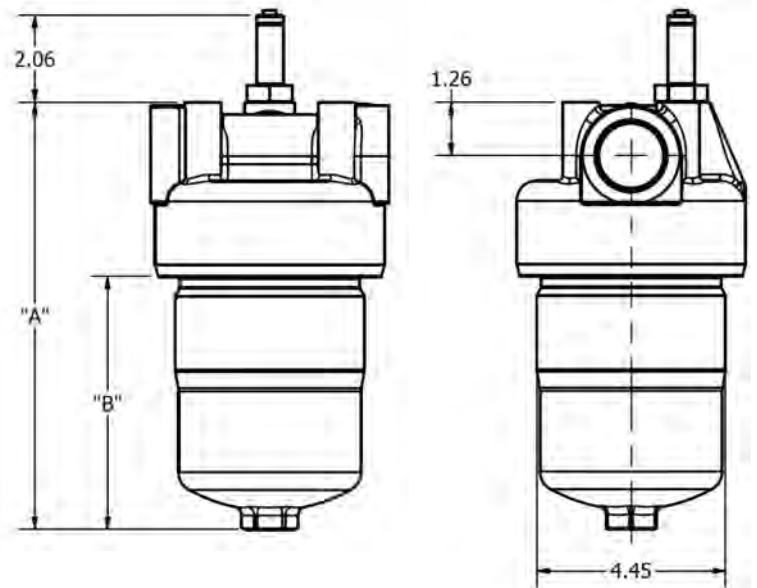
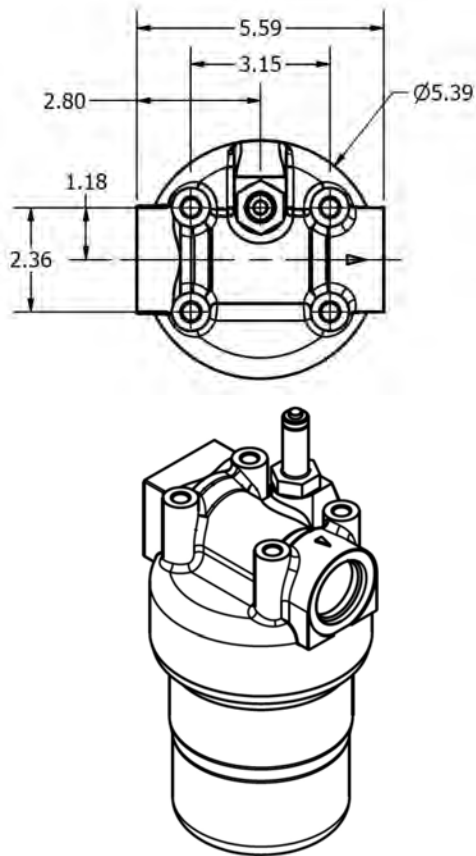
Series 130 Simplex Housing

Top Applications

- Hydraulic systems – hydraulic oil
- Gas turbines – turbine oil
- Gearbox lube systems – gear oil
- Machine Coolant

Top Industries

- Power Generation
- Steel Mills
- Pulp & Paper
- Mining



Dimensions in Inches

PART NUMBER*	"A" Height	"B" Bowl Length	INLET OUTLET
TTHH-130-40-VBB	9.1	5.0	SAE-20
TTHH-130-80-VBB	13.6	9.5	SAE-20
TTHH-130-120-VBB	18.2	14.1	SAE-20

3 Material Ordering Options:
 V/E/X : Visual / Electrical / None
 B / X: Bypass / None
 B / V: Buna / Viton

For example:
 TTHH-130-40-VBB: Series 130 Housing, 40gpm nominal flow rate, Visual Indicator, Bypass Valve, Buna-N Seals

Series 200 Duplex Housing

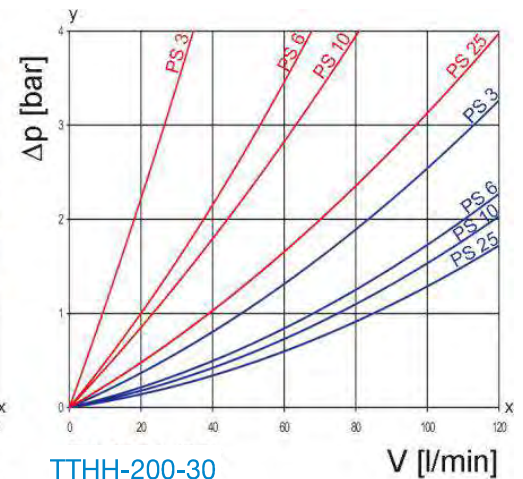
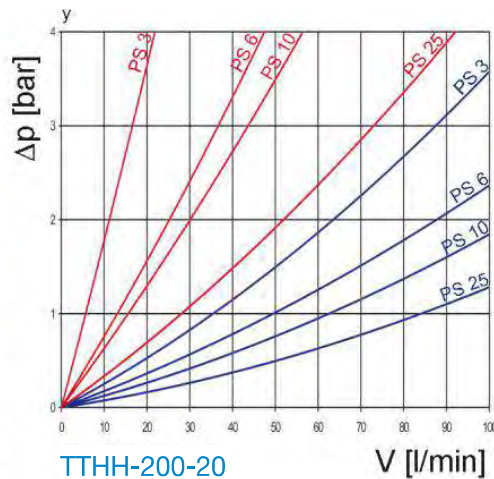
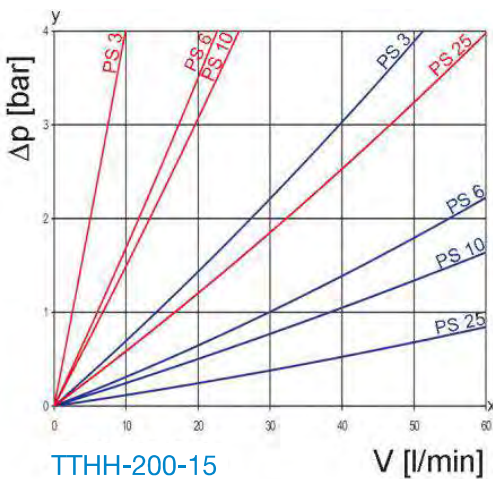
TTI's PowerGuard™ housing line is manufactured in Germany with premium German components and assembled in the USA. All TTI Housings are available standard with a bypass valve, visual indicator, SAE connections and produced to be highly serviceable. The TTI housing line provides the versatility for intermittent or continual flow operations, while offering a range of flow and pressure ratings compatible with inline pressurized systems and return line filtration.



Specifications

- Nominal working pressure - 900 PSI
- Visual indicator for element change out standard - 32 PSI
- Automatic bypass valve standard - 50 PSI Bypass Valve
- Operating temperature: -22°F to 248°F

Flow Characteristics



Fluid Viscosity

190 mm²/s 33 mm²/s

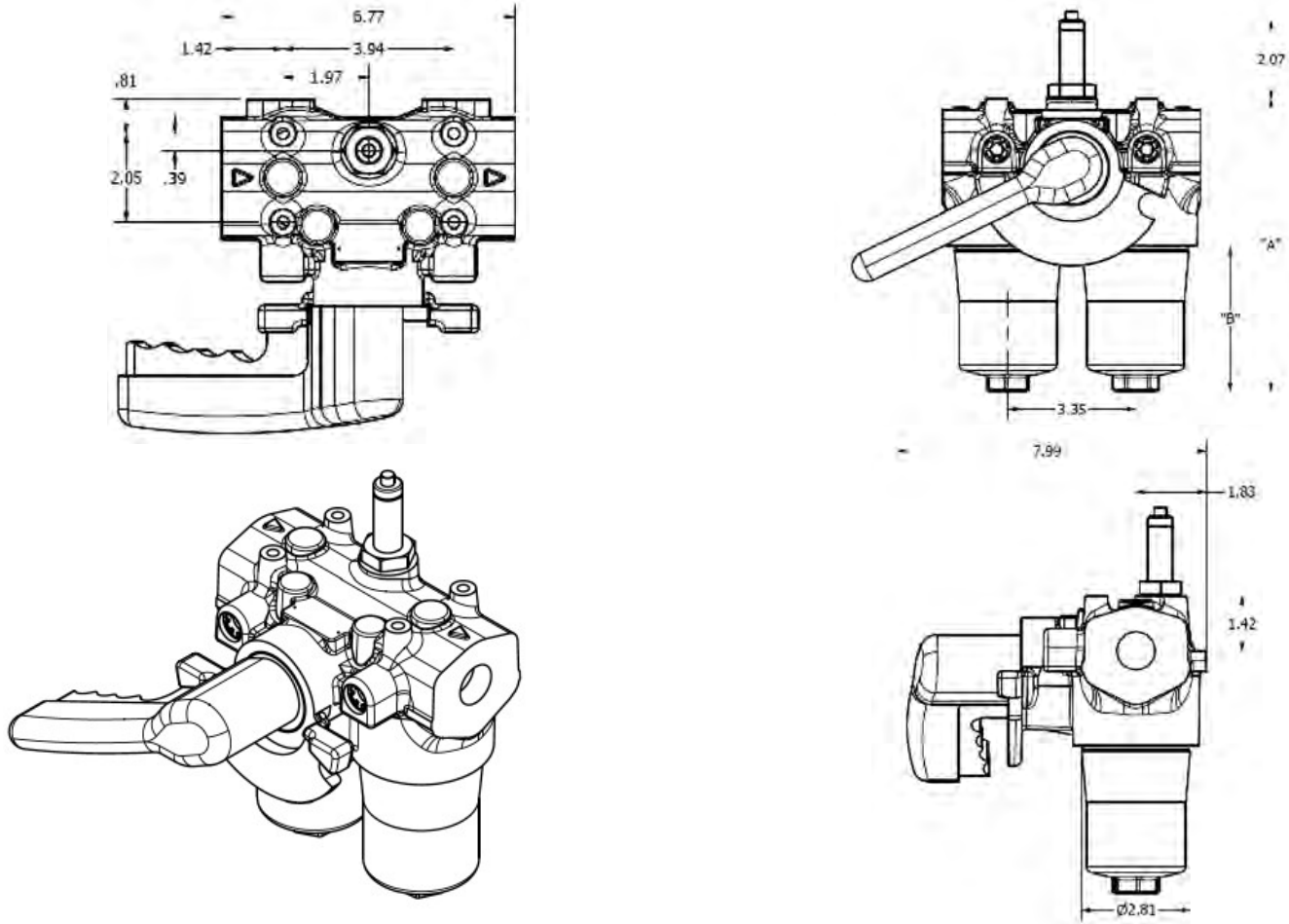
Series 200 Duplex Housing

Top Applications

- Hydraulic systems – hydraulic oil
- Gas turbines – turbine oil
- Gearbox lube systems – gear oil
- Machine Coolant

Top Industries

- Power Generation
- Steel Mills
- Pulp & Paper
- Mining



Dimensions in Inches

PART NUMBER*	"A" Height	"B" Bowl Length	INLET OUTLET
TTHH-200-15-VBB	8.0	4.1	SAE-16
TTHH-200-20-VBB	10.3	6.4	SAE-16
TTHH-200-30-VBB	13.8	10.0	SAE-16

3 Material Ordering Options:
 V/E/X : Visual / Electrical / None
 B / X: Bypass / None
 B / V: Buna / Viton

For example:
 TTHH-200-15-VBB: Series 200 Housing, 15gpm nominal flow rate, Visual Indicator, Bypass Valve, Buna-N Seals

Series 210 Duplex Housing

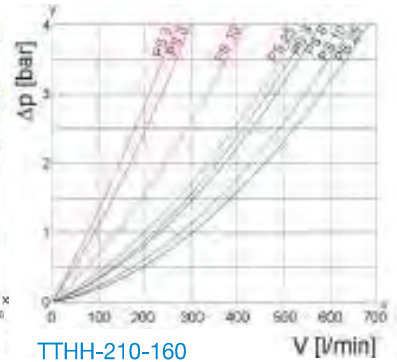
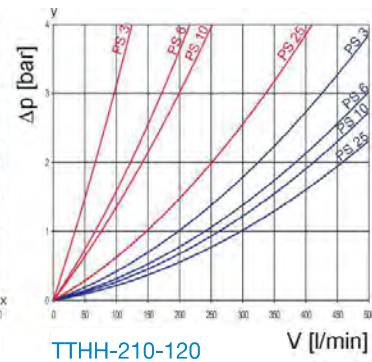
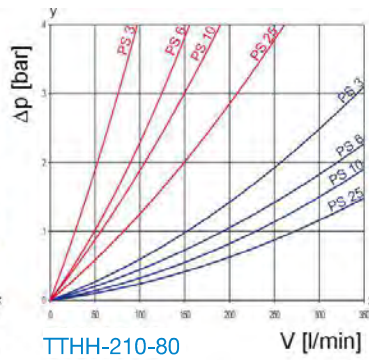
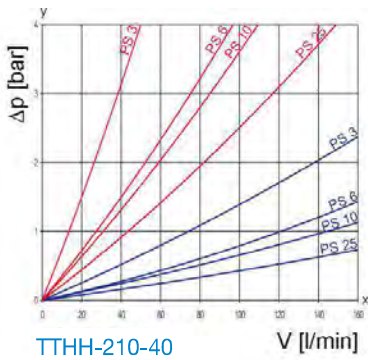
TTI's PowerGuard™ housing line is manufactured in Germany with premium German components and assembled in the USA. All TTI Housings are available standard with a bypass valve, visual indicator, SAE connections and produced to be highly serviceable. The TTI housing line provides the versatility for intermittent or continual flow operations, while offering a range of flow and pressure ratings compatible with inline pressurized systems and return line filtration.



Specifications

- Nominal working pressure - 450 PSI
- Visual indicator for element change out standard - 32 PSI
- Automatic bypass valve standard - 50 PSI Bypass Valve
- Operating temperature: -22°F to 248°F

Flow Characteristics



Fluid Viscosity

190 mm²/s 33 mm²/s

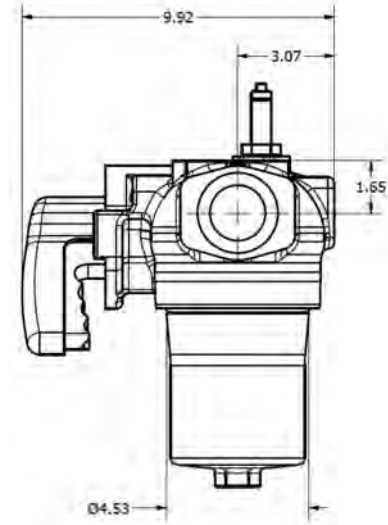
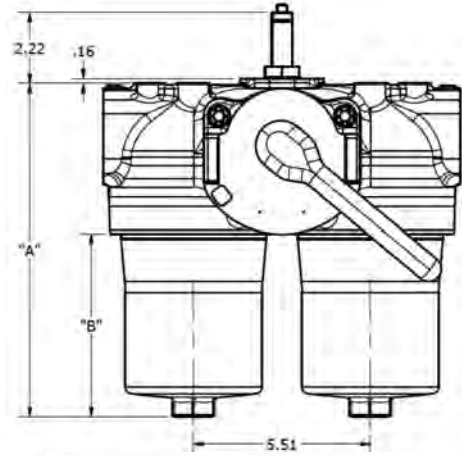
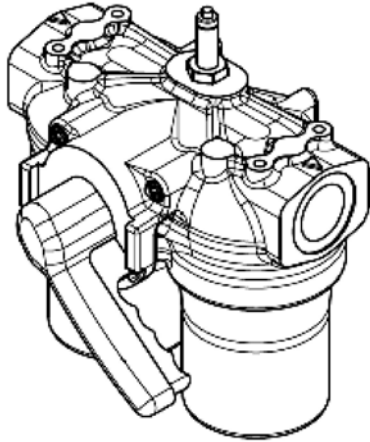
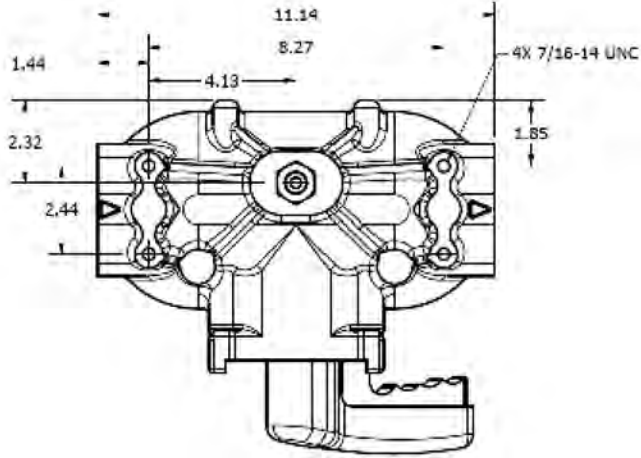
Series 210 Duplex Housing

Top Applications

- Hydraulic systems – hydraulic oil
- Gas turbines – turbine oil
- Gearbox lube systems – gear oil
- Machine Coolant

Top Industries

- Power Generation
- Steel Mills
- Pulp & Paper
- Mining



Dimensions in Inches

PART NUMBER*	"A" Height	"B" Bowl Length	INLET OUTLET
TTHH-210-40-VBB	10.4	5.7	SAE-24
TTHH-210-80-VBB	15.2	10.5	SAE-24
TTHH-210-120-VBB	19.6	14.9	SAE-24
TTHH-210-160-VBB	25.0	20.3	SAE-24

3 Material Ordering Options:
 V/E/X : Visual / Electrical / None
 B / X: Bypass / None
 B / V: Buna / Viton

For example:
 TTHH-210-40-VBB: Series 210 Housing, 40gpm nominal flow rate, Visual Indicator, Bypass Valve, Buna-N Seals

Series 220 Duplex Housing

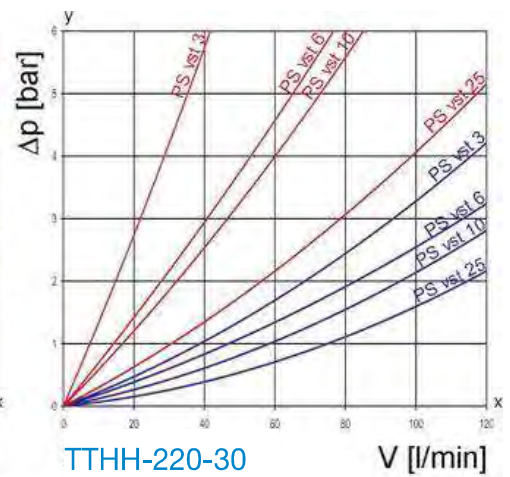
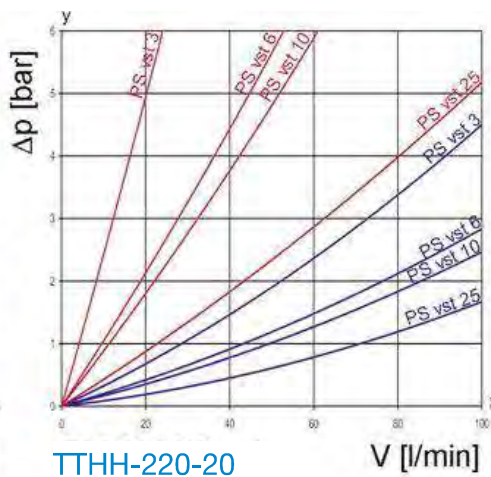
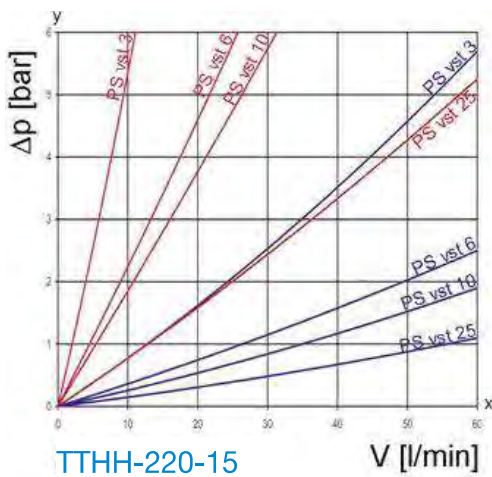
TTI's PowerGuard™ housing line is manufactured in Germany with premium German components and assembled in the USA. All TTI Housings are available standard with a bypass valve, visual indicator, SAE connections and produced to be highly serviceable. The TTI housing line provides the versatility for intermittent or continual flow operations, while offering a range of flow and pressure ratings compatible with inline pressurized systems and return line filtration.



Specifications

- Nominal working pressure - 4500 PSI
- Visual indicator for element change out standard - 72 PSI
- Automatic bypass valve standard - 101 PSI Bypass Valve
- Operating temperature: -22°F to 248°F

Flow Characteristics



Fluid Viscosity

190 mm²/s 33 mm²/s

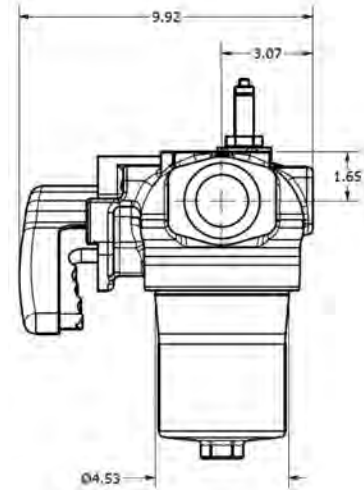
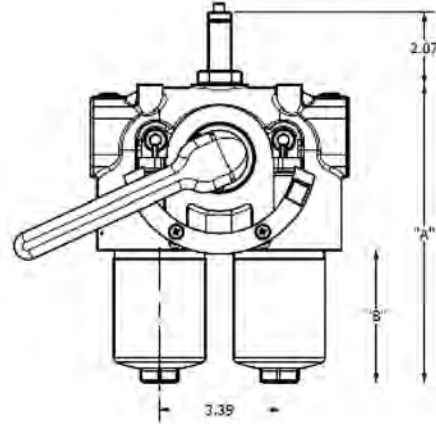
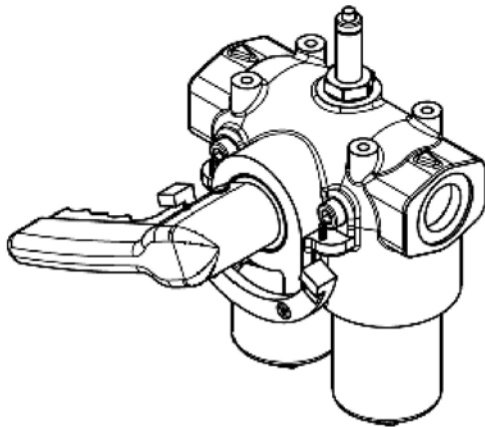
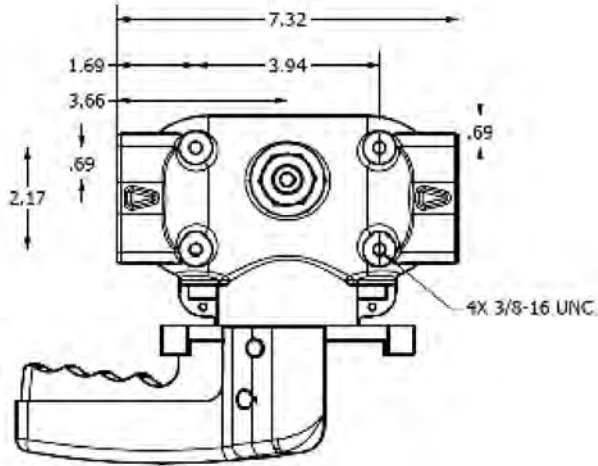
Series 220 Duplex Housing

Top Applications

- Hydraulic systems – hydraulic oil
- Gas turbines – turbine oil
- Gearbox lube systems – gear oil
- Machine Coolant

Top Industries

- Power Generation
- Steel Mills
- Pulp & Paper
- Mining



Dimensions in Inches

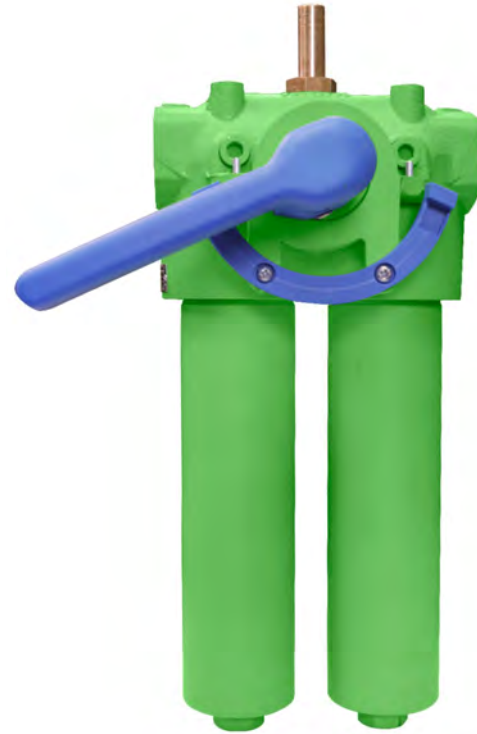
PART NUMBER*	"A" Height	"B" Bowl Length	INLET OUTLET
TTHH-220-15-VBB	8.6	3.9	SAE-16
TTHH-220-20-VBB	11.6	6.9	SAE-16

3 Material Ordering Options:
 V/E/X : Visual / Electrical / None
 B / X: Bypass / None
 B / V: Buna / Viton

For example:
 TTHH-220-15-VBB: Series 220 Housing, 15gpm nominal flow rate, Visual Indicator, Bypass Valve, Buna-N Seals

Series 230 Duplex Housing

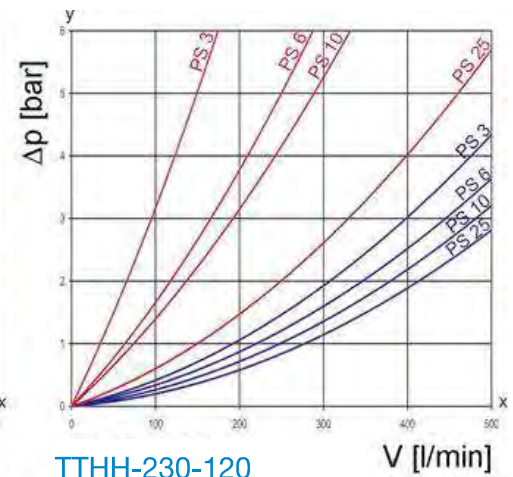
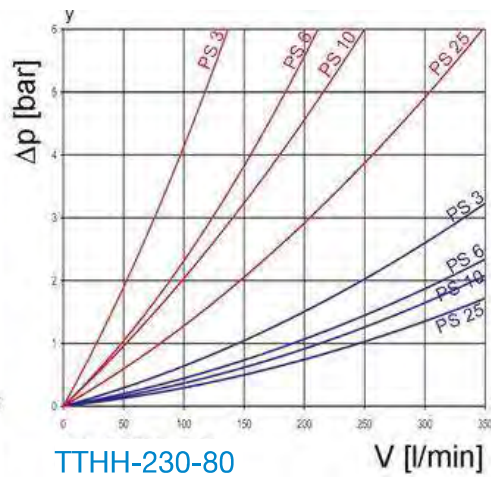
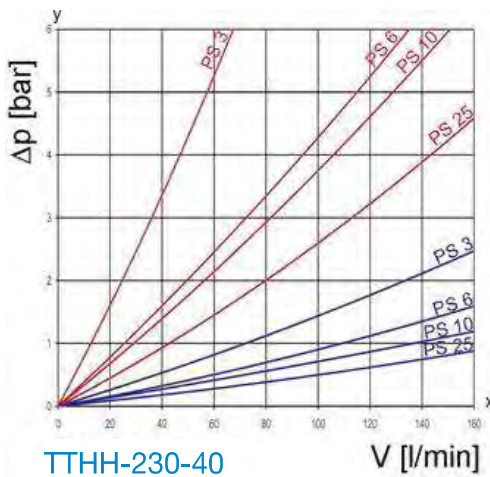
TTI's PowerGuard™ housing line is manufactured in Germany with premium German components and assembled in the USA. All TTI Housings are available standard with a bypass valve, visual indicator, SAE connections and produced to be highly serviceable. The TTI housing line provides the versatility for intermittent or continual flow operations, while offering a range of flow and pressure ratings compatible with inline pressurized systems and return line filtration.



Specifications

- Nominal working pressure - 3000 PSI
- Visual indicator for element change out standard - 72 PSI
- Automatic bypass valve standard - 101 PSI Bypass Valve
- Operating temperature: -22°F to 248°F

Flow Characteristics



Fluid Viscosity

190 mm²/s 33 mm²/s

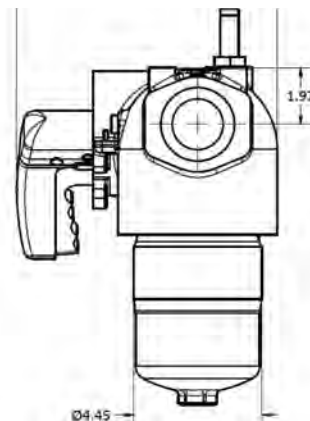
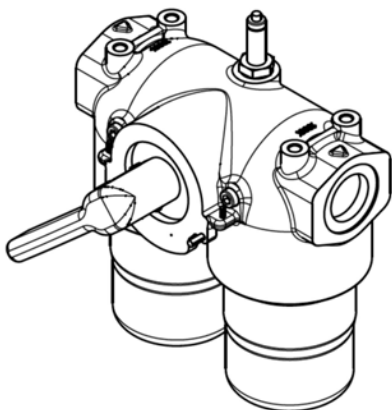
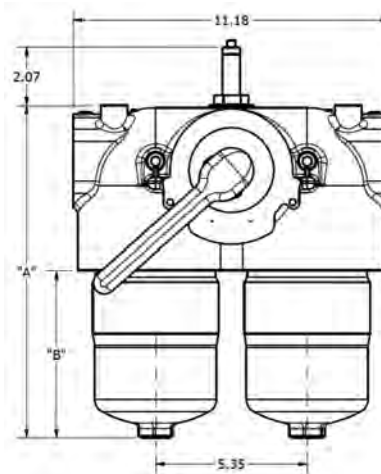
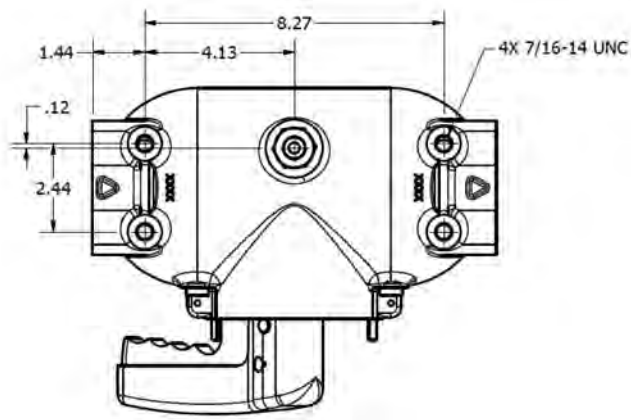
Series 230 Duplex Housing

Top Applications

- Hydraulic systems – hydraulic oil
- Gas turbines – turbine oil
- Gearbox lube systems – gear oil
- Machine Coolant

Top Industries

- Power Generation
- Steel Mills
- Pulp & Paper
- Mining



Dimensions in Inches

PART NUMBER*	"A" Height	"B" Bowl Length	INLET OUTLET
TTHH-230-40-VBB	11.9	5.9	SAE-24
TTHH-230-80-VBB	16.8	10.8	SAE-24
TTHH-230-120-VBB	21.4	15.4	SAE-24

3 Material Ordering Options:
 V/E/X : Visual / Electrical / None
 B / X: Bypass / None
 B / V: Buna / Viton

For example:
 TTHH-230-40-VBB: Series 230 Housing, 40gpm nominal flow rate, Visual Indicator, Bypass Valve, Buna-N Seals

TTHH-626 Housing

TTI's PowerGuard™ high capacity housing line offers a standard 304 Stainless Steel construction that is available in both an 18" and 36" lengths. With features such as a hinge block located on the lid, and 2 ports on both the inlet and outlet of the housing to accommodate differential and sampling gauges.

Specifications

- 150 PSI working pressure
- 304 Stainless Steel
- Hinged lid for safe, ergonomic filter changeouts



Connection Types

2" FNPT



2" Flange



3" Flange



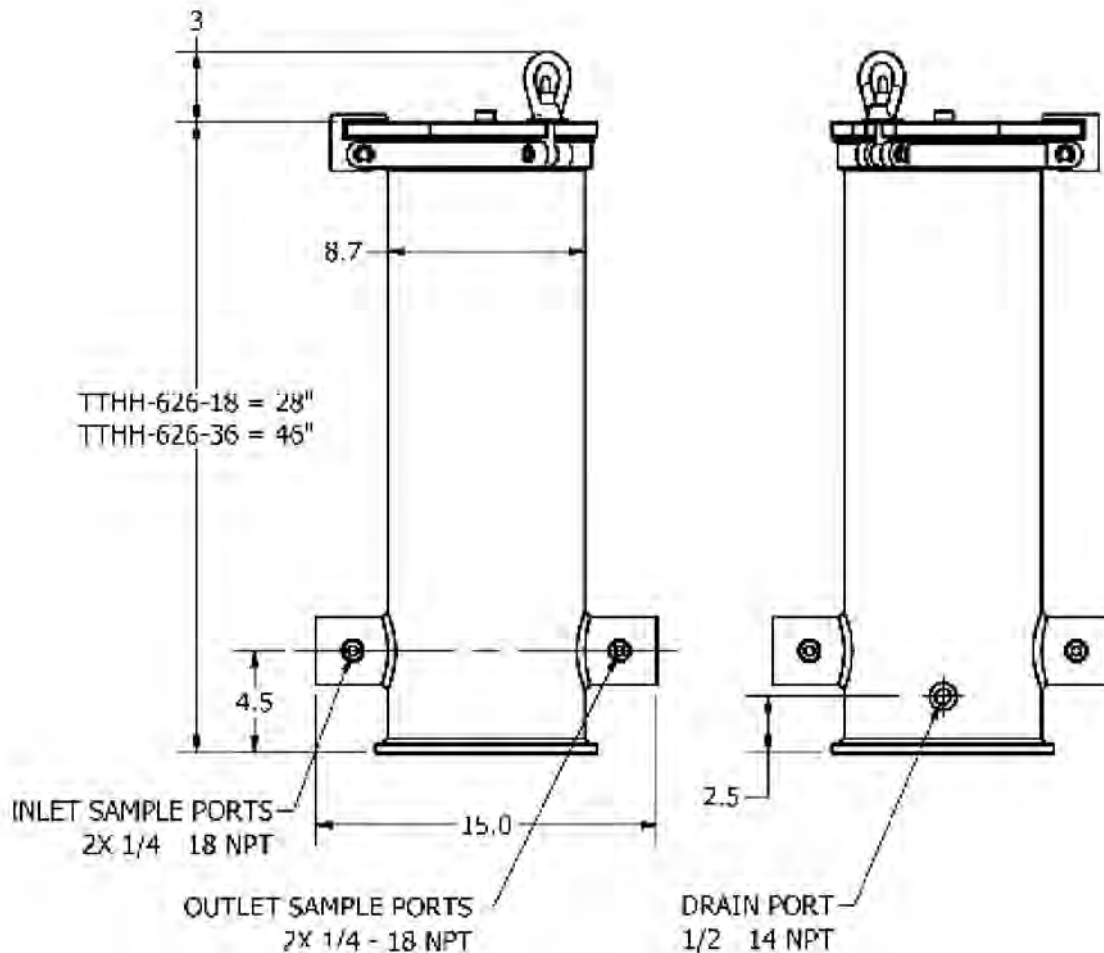
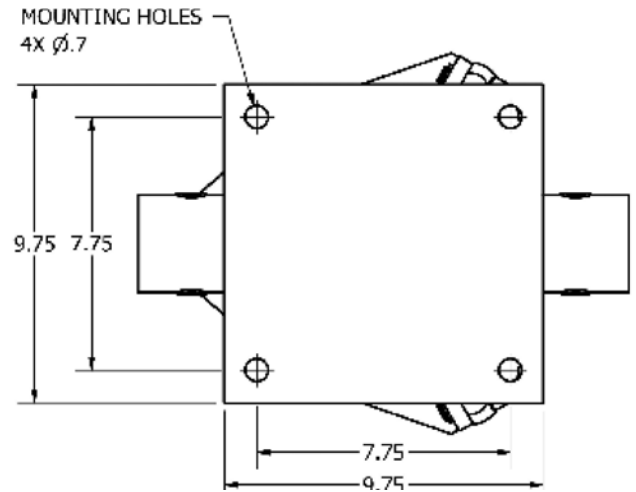
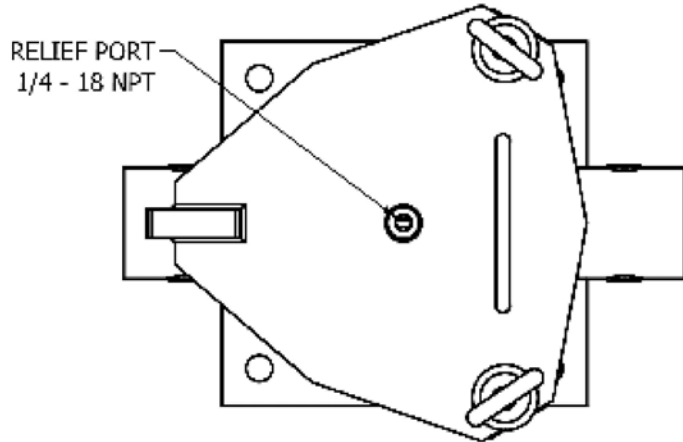
TTHH-626 High Capacity Housing

Top Applications

- Hydraulic systems – hydraulic oil
- Gas turbines – turbine oil
- Gearbox lube systems – gear oil
- Machine Coolant

Top Industries

- Power Generation
- Steel Mills
- Pulp & Paper
- Mining

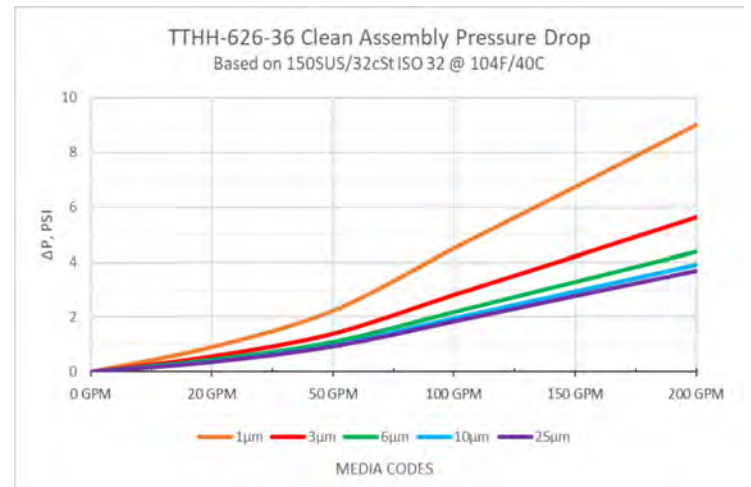
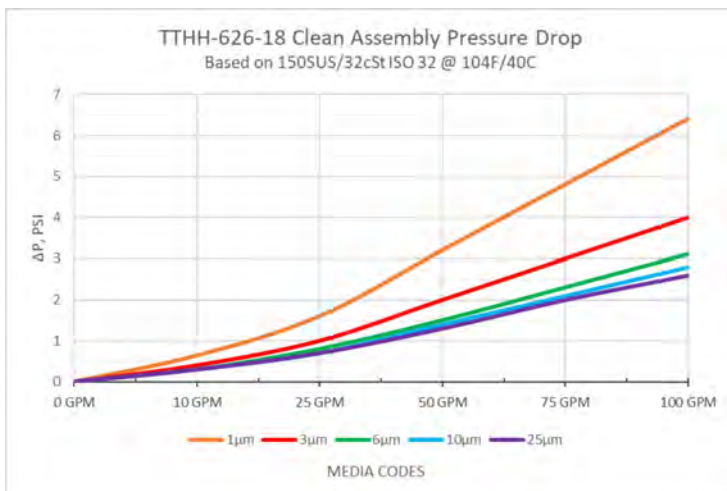


Dimensions in Inches

PART NUMBER*	"A Height"	"B Vent Port"	"C Inlet"	"D Outlet"	"E Inlet Sample Port"	"F Outlet Sample Port"	"G Drain Port"
TTHH-626-18-2N	28.0	1/4" FNPT	2" FNPT	2" FNPT	1/4" FNPT	1/4" FNPT	1/2" FNPT
TTHH-626-36-2N	46.0	1/4" FNPT	2" FNPT	2" FNPT	1/4" FNPT	1/4" FNPT	1/2" FNPT
TTHH-626-36-2FL	46.0	1/4" FNPT	2" Flange	2" Flange	1/4" FNPT	1/4" FNPT	1/2" FNPT
TTHH-626-36-3FL	46.0	1/4" FNPT	3" Flange	3" Flange	1/4" FNPT	1/4" FNPT	1/2" FNPT

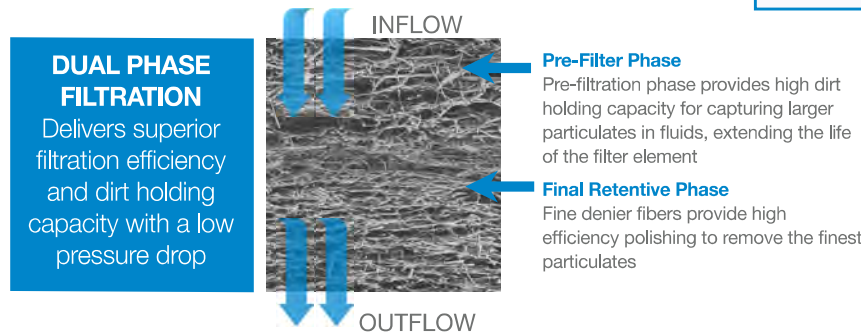
TTHH-626 High Capacity Housing Only Accept TT626/TTSF626/TT626XL/TTSF626XL Filter Elements

Flow Characteristics



TT626 Series

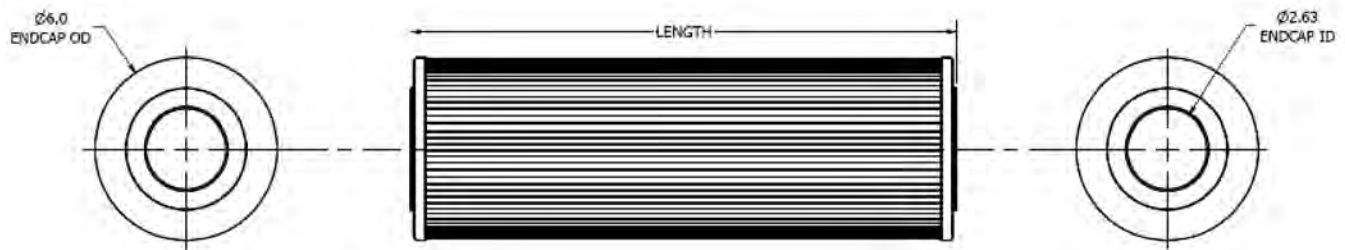
TTI's PowerGuard™ Filter line is produced in the USA using USA and German materials. TTI has leveraged 58 years of filter manufacturing expertise of FG Industrial Filtration (Formerly Mahle) to deliver the PowerGuard™ product line to the North American marketplace. TTI's Dual Phase Microglass media provides world class filtration performance. The Dual Phase technology provides Beta 1000 efficiencies with a built-in pre-filter layer to extend filter life and reduce initial pressure drops.



PERFORMANCE

- 150 PSID collapse pressure
- 50 PSID change out recommended
- 250°F (121°C) maximum operating temperature

Dimensions



Part Number Builder

TTI PN	-	Length (inches)	-	Micron Rating (µm)	Media Type	Seal Type
TT626		16 = 16.0		1	(Omit) = Dual Phase Microglass <i>Standard option B1000, available in 1, 3, 6, 10, 25µm</i>	B = Buna
		18 = 18.0		3	WA = Water Absorptive <i>Available in 3, 6, 10, 25µm</i>	V = Viton
		34 = 34.0		6	SD = Static Dissipative <i>Viton seals only, available in 1, 3, 6, 10, 25µm</i>	
		36 = 36.0		10	*W = Stainless Steel Wire Mesh <i>Only available in nominally rated 25, 74, 149µm</i>	
				25		

PART NUMBER EXAMPLE: TT626-18-3V = TT626 (18 length, 3 micron, viton seal type)

TTHH-107 Housing

TTI's PowerGuard™ high capacity housing line offers a standard 304 Stainless Steel construction that is available in both an 18" and 36" lengths. With features such as a hinge block located on the lid, and 2 ports on both the inlet and outlet of the housing to accommodate differential and sampling gauges.

Specifications

- 150 PSI working pressure
- 304 Stainless Steel
- Hinged lid for safe, ergonomic filter changeouts



Connection Types

2" FNPT



2" Flange



3" Flange



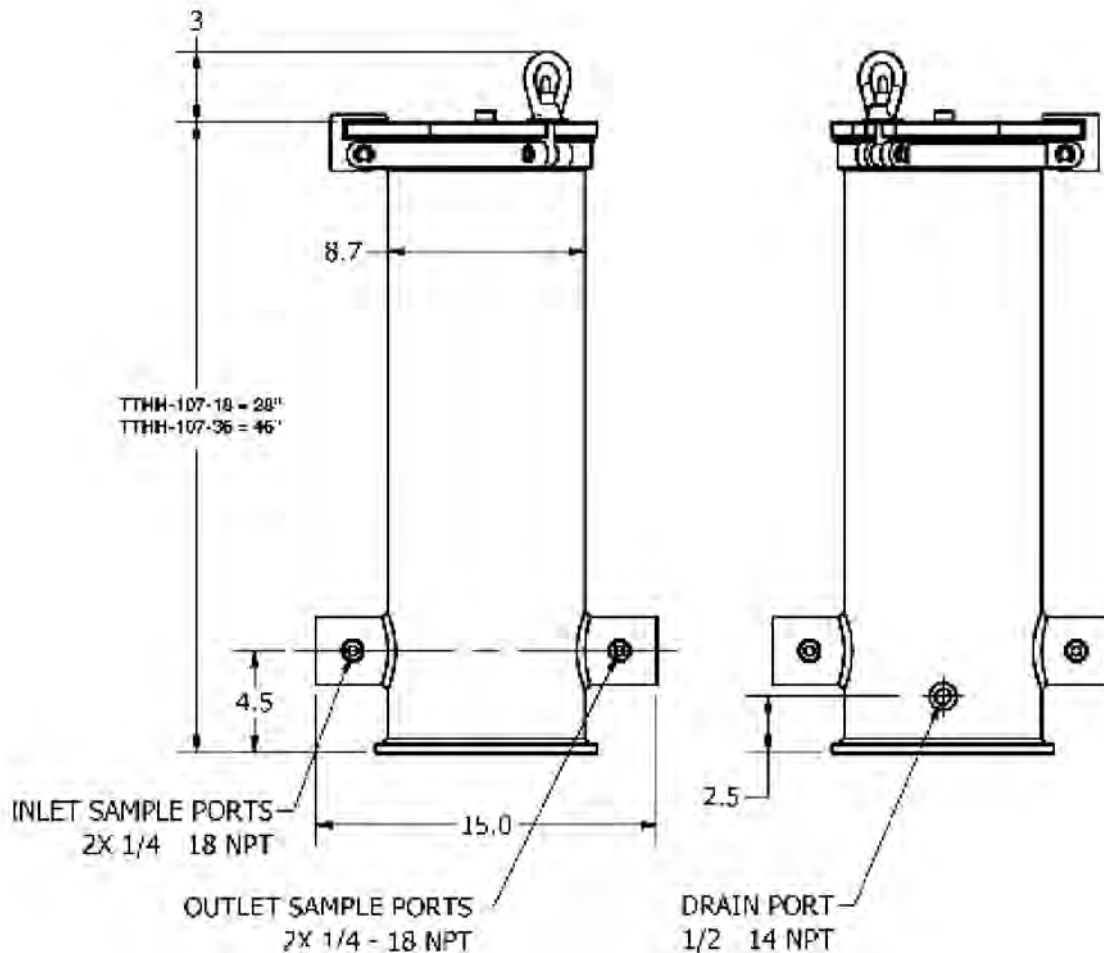
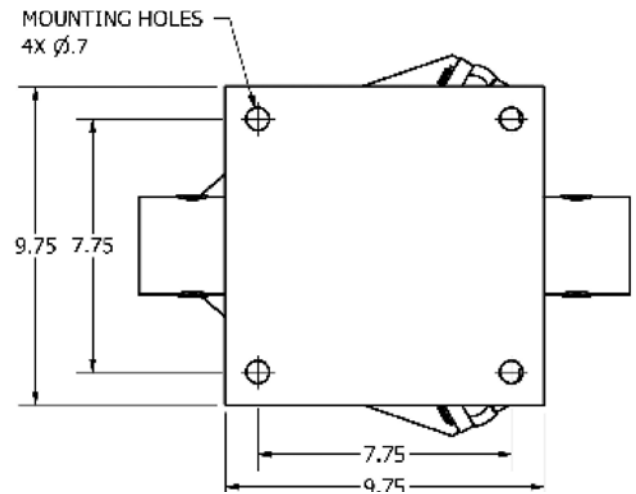
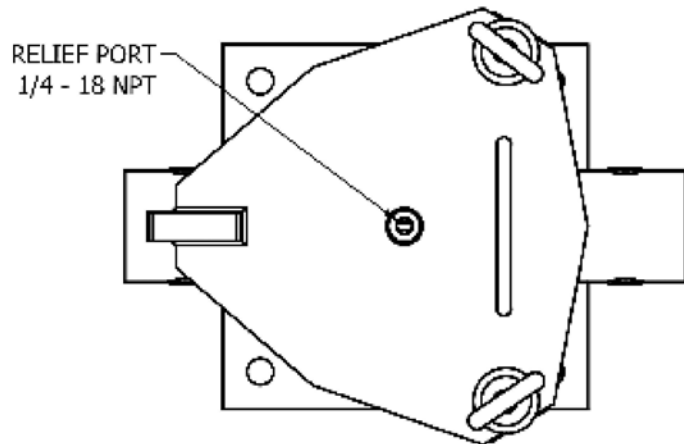
TTHH-107 High Capacity Housing

Top Applications

- Hydraulic systems – hydraulic oil
- Gas turbines – turbine oil
- Gearbox lube systems – gear oil
- Machine Coolant

Top Industries

- Power Generation
- Steel Mills
- Pulp & Paper
- Mining

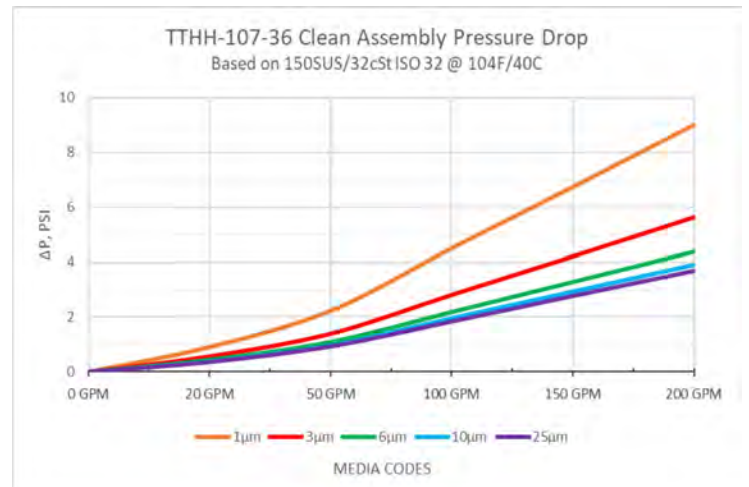
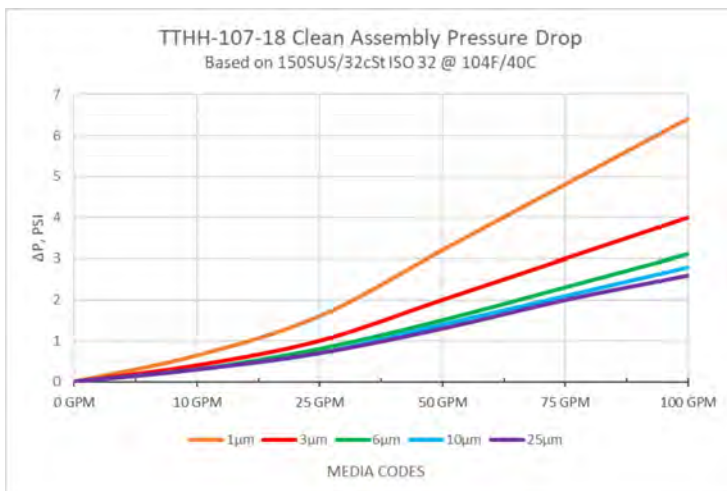


Dimensions in Inches

PART NUMBER*	"A Height"	"B Vent Port"	"C Inlet"	"D Outlet"	"E Inlet Sample Port"	"F Outlet Sample Port"	"G Drain Port"
TTHH-107-18-2N	28.0	1/4" FNPT	2" FNPT	2" FNPT	1/4" FNPT	1/4" FNPT	1/2" FNPT
TTHH-107-36-2N	46.0	1/4" FNPT	2" FNPT	2" FNPT	1/4" FNPT	1/4" FNPT	1/2" FNPT
TTHH-107-36-2FL	46.0	1/4" FNPT	2" Flange	2" Flange	1/4" FNPT	1/4" FNPT	1/2" FNPT
TTHH-107-36-3FL	46.0	1/4" FNPT	3" Flange	3" Flange	1/4" FNPT	1/4" FNPT	1/2" FNPT

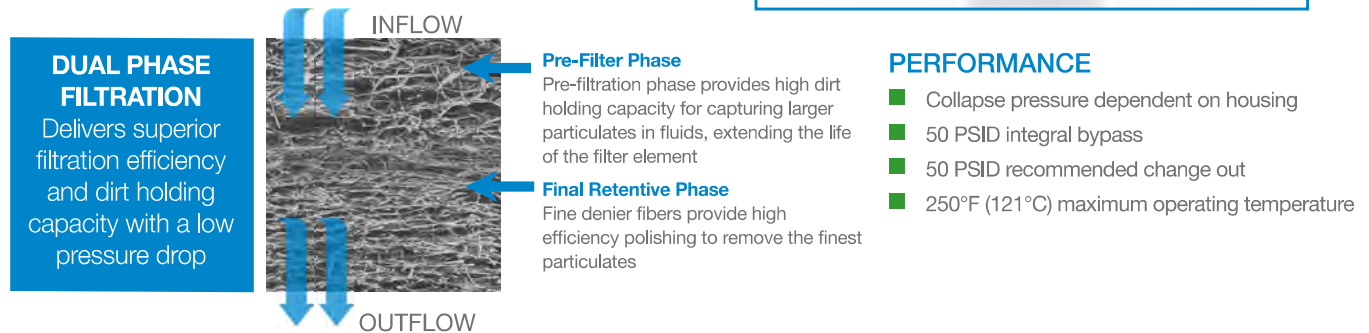
TTHH-107 High Capacity Housing Only Accept TT106/TT107/TT108/TTSF106/TTSF107/TTSF108 Filter Elements

Flow Characteristics

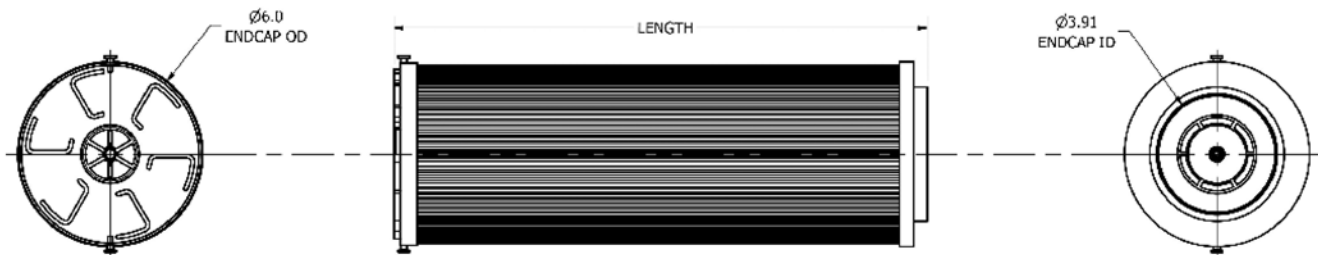


TT107 Series

TTI's PowerGuard™ Filter line is produced in the USA using USA and German materials. TTI has leveraged 58 years of filter manufacturing expertise of FG Industrial Filtration (Formerly Mahle) to deliver the PowerGuard™ product line to the North American marketplace. TTI's Dual Phase Microglass media provides world class filtration performance. The Dual Phase technology provides Beta 1000 efficiencies with a built-in pre-filter layer to extend filter life and reduce initial pressure drops.



Dimensions



Part Number Builder

TTI PN	-	Length (inches)	-	Micron Rating (µm)	Media Type	Seal Type	
TT107		10 = 10.07		1	(Omit) = Dual Phase Microglass <i>Standard option B1000, available in 1, 3, 6, 10, 25µm</i>	B = Buna	
		16 = 14.64		3		149*	SD = Static Dissipative <i>Viton seals only, available in 1, 3, 6, 10, 25µm</i>
		18 = 17.30		6	*W = Stainless Steel Wire Mesh <i>Only available in nominally rated 25, 74, 149µm</i>		
		36 = 35.60		10			
				25			

PART NUMBER EXAMPLE: TT107-36-3V = TT107 (36 length, 3 micron, viton seal type)

TTHH-207 Housing

TTI's PowerGuard™ high capacity housing line offers a standard 304 Stainless Steel construction that is available in both an 18" and 36" lengths. With features such as a hinge block located on the lid, and 2 ports on both the inlet and outlet of the housing to accommodate differential and sampling gauges.

Specifications

- 150 PSI working pressure
- 304 Stainless Steel
- Hinged lid for safe, ergonomic filter changeouts



Connection Type

2" FNPT



2" Flange



3" Flange



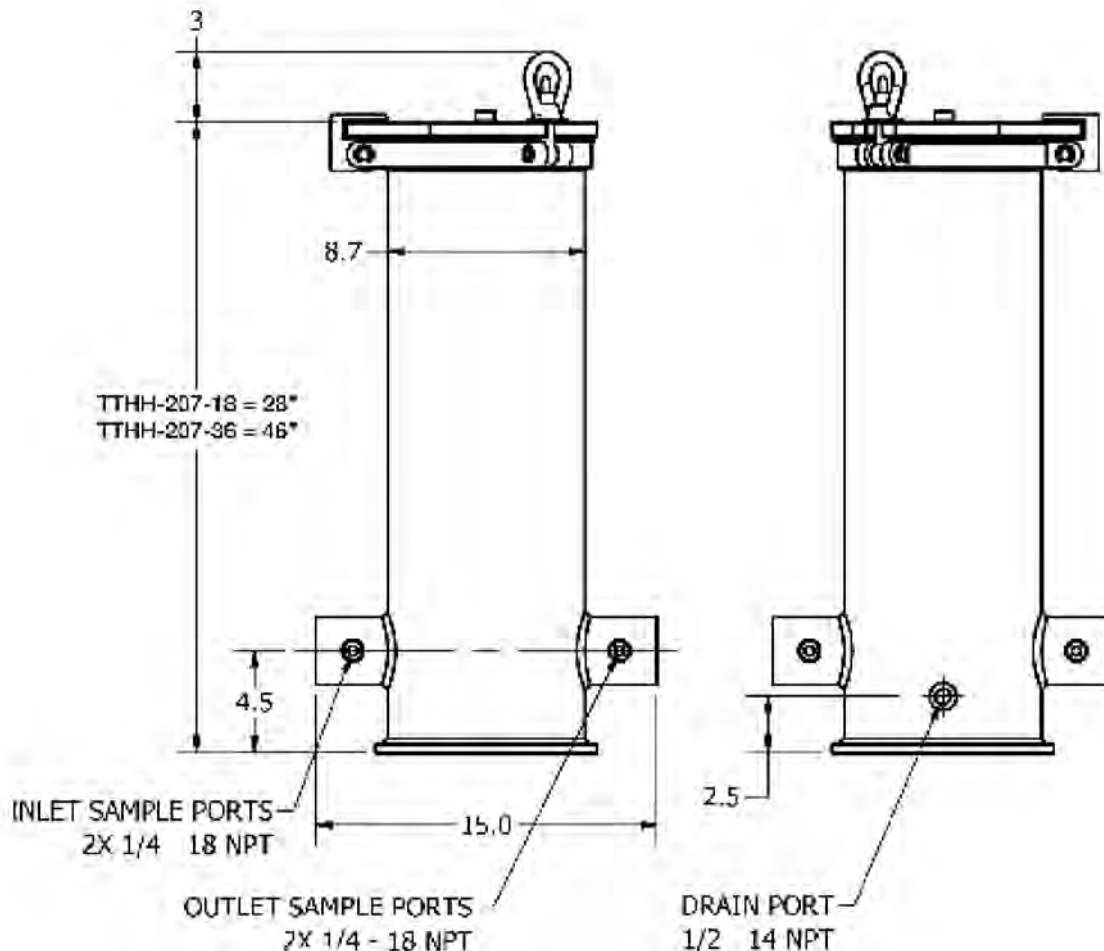
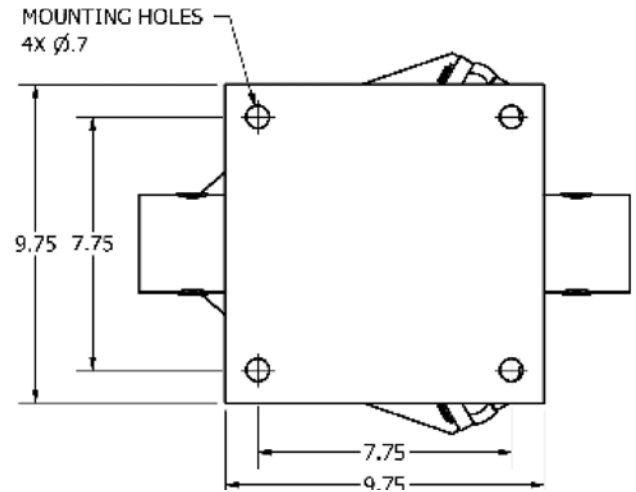
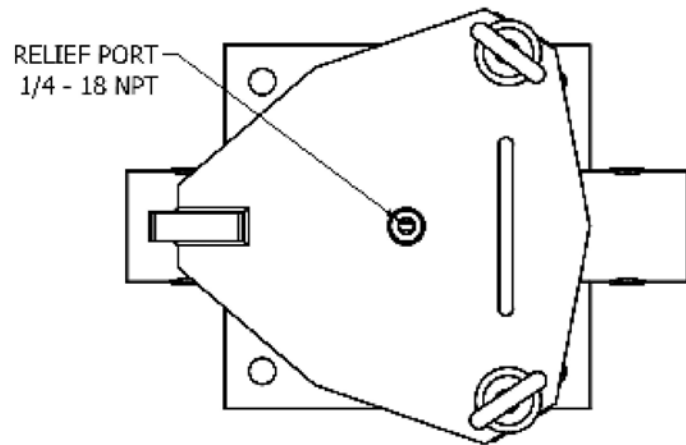
TTHH-207 High Capacity Housing

Top Applications

- Hydraulic systems – hydraulic oil
- Gas turbines – turbine oil
- Gearbox lube systems – gear oil
- Machine Coolant

Top Industries

- Power Generation
- Steel Mills
- Pulp & Paper
- Mining

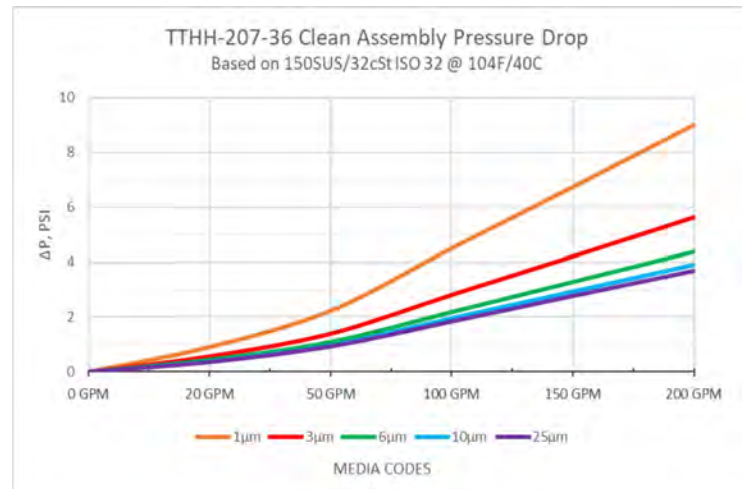
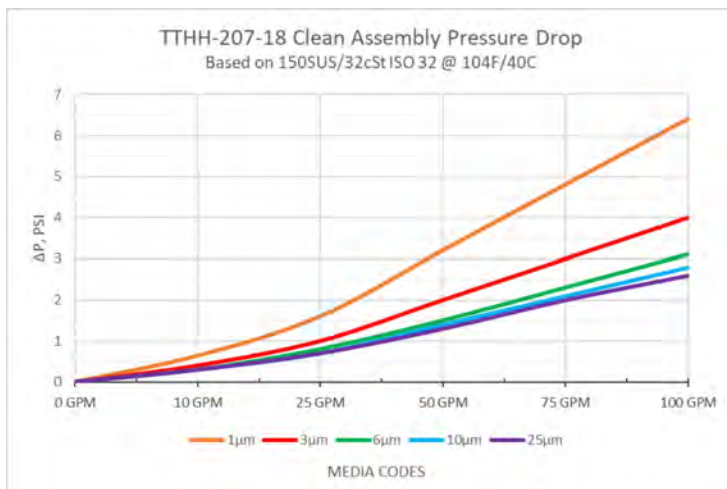


Dimensions in Inches

PART NUMBER*	"A Height"	"B Vent Port"	"C Inlet"	"D Outlet"	"E Inlet Sample Port"	"F Outlet Sample Port"	"G Drain Port"
TTHH-207-18-2N	28.0	1/4" FNPT	2" FNPT	2" FNPT	1/4" FNPT	1/4" FNPT	1/2" FNPT
TTHH-207-36-2N	46.0	1/4" FNPT	2" FNPT	2" FNPT	1/4" FNPT	1/4" FNPT	1/2" FNPT
TTHH-207-36-2FL	46.0	1/4" FNPT	2" Flange	2" Flange	1/4" FNPT	1/4" FNPT	1/2" FNPT
TTHH-207-36-3FL	46.0	1/4" FNPT	3" Flange	3" Flange	1/4" FNPT	1/4" FNPT	1/2" FNPT

TTHH-207 High Capacity Housing Only Accept TT206/TT207/TT208/TTSF206/TTSF207/TTSF208 Filter Elements

Flow Characteristics

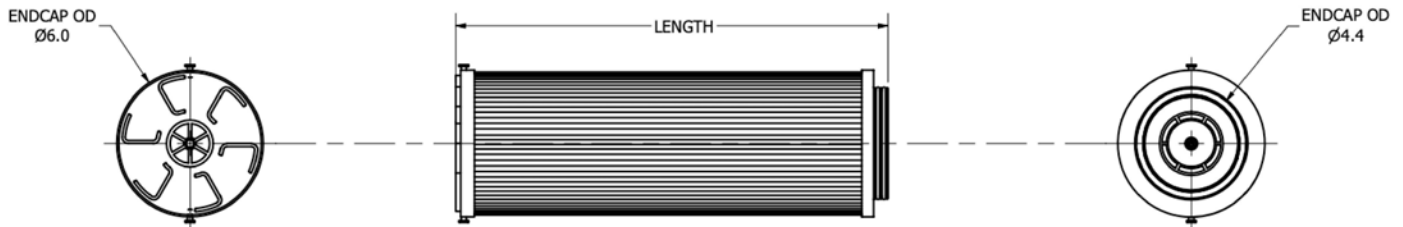
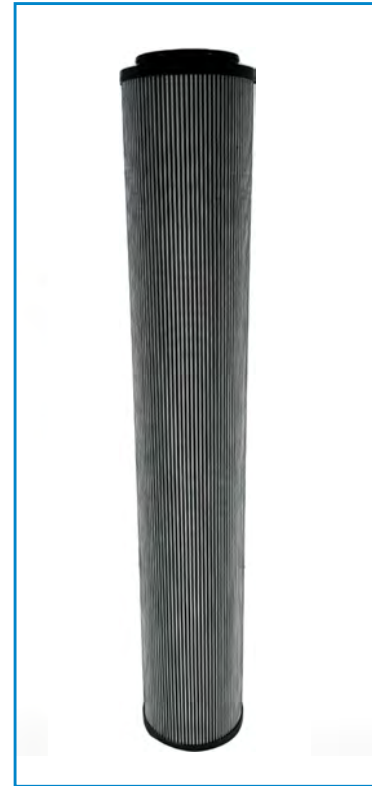


TT207 Series

PERFORMANCE

- 50 PSID integral bypass
- 250°F (121°C) maximum operating temperature
- Collapse pressure dependent on housing

TTI's PowerGuard™ Filter line utilizes proprietary Dual Phase Microglass Media to provide world class filtration performance and longer service life for your equipment. Our built-in pre-filter layer ensures Beta 1000 efficiencies, reduces initial pressure drops, and provides superior dirt-holding capacity compared to our competitors.



TTI PN	-	Length (inches)	-	Micron Rating (µm)	Media Type	Seal Type	
TT207		18 = 17.30		1	74*	(Omit) = Dual Phase Microglass <i>Standard option β1000, available in 1, 3, 6, 10, 25µm</i>	B = Buna
		36 = 35.60		3	149*	SD = Static Dissipative <i>Viton seals only, available in 1, 3, 6, 10, 25µm</i>	V = Viton
				6		WA = Water Absorptive <i>Available in 3, 6, 10, 25µm</i>	
				10		*W = Stainless Steel Wire Mesh <i>Only available in nominally rated 25, 74, 149µm</i>	
				25			

PART NUMBER EXAMPLE: TT207-36-3V = TT207 (36 length, 3 micron, viton seal type)



Derek Kula

VP of Business Development: MLT 1

Office: +1.303.585.0132

Cell: +1.949.335.2438

Email: derek@toddtechinc.com



Dustin Flynn

Account Manager, US East: MLT 1

Office: +1.303.585.0132

Cell: +1.949.563.3003

Email: dustin@toddtechinc.com



Christian Stapen

Account Manager, US West: MLT 1

Office: +1.303.585.0132

Cell: +1.303.638.7939

Email: christian@toddtechinc.com



David Filloy

Director of Sales, Latin America: MLT 1

Office: +1.303.585.0132

Cell: +506.8844.1688

Email: david.filloy@toddtechinc.com



Wolfgang Stausberg

Managing Director, Europe

Office: +1.303.585.0132

Cell: +49(0)151.74520493

Email: wolfgang@toddtechinc.com



PERFECT FILTRATION (Pty) Ltd

Lubrication Management, Oil Filtration and Electrical Services