



PERFECT FILTRATION (Pty) Ltd

Lubrication Management, Oil Filtration and Electrical Services



TTI

Service • Quality • Innovation

PowerBreather™ Non-Desiccant Breather Line

Ensure optimal performance from your hydraulic systems and fluid reservoirs
with industry-leading filtration and contaminant removal



Protect Your Equipment with the Right Filtration Solution

Proper filtration is critical for keeping your industrial machinery running smoothly. Contaminants like dust, debris, and oil mist can wreak havoc on sensitive components, leading to premature wear, downtime, and costly repairs. Choosing the right breather is essential to maintaining optimal performance and system longevity.

For some applications, a non-desiccant breather is the ideal choice over a traditional desiccant breather due to specific environmental, chemical compatibility, or moisture absorption concerns. That's where TTI's line of Non-Desiccant Breathers comes in.

Why Choose TTI's Non-Desiccant Breather?

If your system requires high-performance filtration without desiccant media, TTI's non-desiccant breather is the perfect solution to ensure clean, reliable airflow while preventing unwanted contamination.

Engineered for Harsh Environments: Ideal for high-humidity areas where desiccant material would become saturated too quickly.

Chemical Compatibility: Designed for systems where moisture-reactive chemicals or lubricants could be affected by desiccant material.

Moisture-Resistant Design: Protects against particulate contamination without absorbing essential system moisture.

Low Maintenance & Long Service Life: No desiccant media means fewer replacements and lower operational costs.



Top Non-Desiccant Breather Applications



Fuel Storage



Chemical Processing



Turbine Gearboxes



Marine Equipment



Mining Machinery

TTI's Commitment to Every Customer

SERVICE

At TTI, your filtration needs always come first. When you call, you'll always speak with a real person who's ready to help you find the ideal solution for your operation. And because we know downtime isn't an option, we ship our products in days — not weeks or months like the competition.



QUALITY

You deserve filtration products that last. That's why we manufacture in the USA and Germany, using world-class materials and rigorous quality inspections to ensure 100% reliability. With TTI, you can trust that you're getting the best, longest-lasting solutions available.



INNOVATION

Your industry is evolving — so should your filtration solutions. While others stick to the same designs, we innovate. Whether you need a proven product or a custom-engineered solution, our team is ready to help you optimize performance and push your operations forward. Let's build something better together.



TT-2-ND Non-Desiccant Breather

TTI's non-desiccant breather is the ideal choice for applications with environmental, chemical compatibility, or moisture absorption concerns that negate the effectiveness of traditional desiccant breathers.

Manufactured in the USA and Germany, our DuoGlass™ Dual Phase Microglass technology provides Beta 1000 efficiencies with a built-in pre-filter layer to reduce initial pressure drops and extend the optimal performance life of your equipment.



Breather Specifications

Body: ABS, Nylon, Polypropylene, Buna

Filter Media: DuoGlass™ Media

Filter Efficiency: 1 Micron Absolute

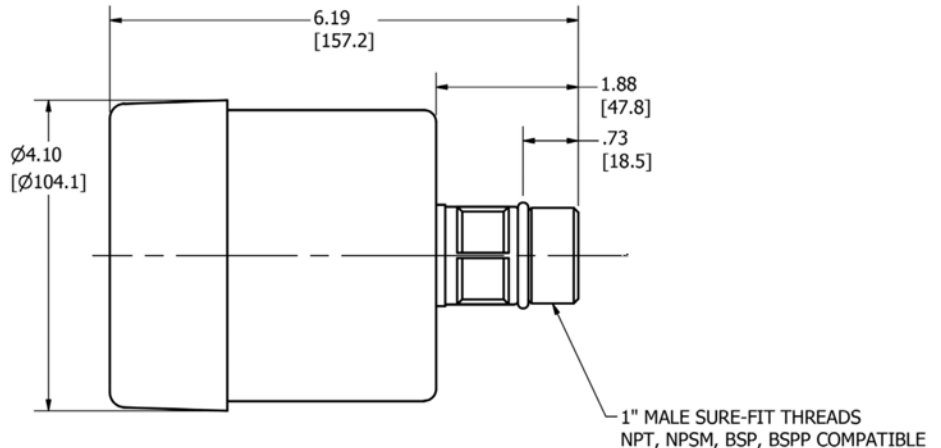
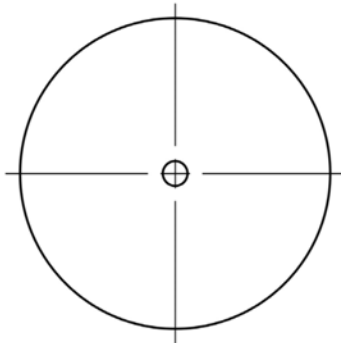
Operating temperatures:

■ -20 F to 200 F

■ -29 C to 93 C

Top TT-ND Applications

- Chemical Processing Equipment
- Hydraulic Fluid Reservoirs
- Oil Mist Generating Systems
- Marine Equipment
- Bulk Fuel Tanks
- Vacuum Systems
- Systems in High-Humidity Environments



TT-3-ND Non-Desiccant Breather

TTI's non-desiccant breather is the ideal choice for applications with environmental, chemical compatibility, or moisture absorption concerns that negate the effectiveness of traditional desiccant breathers.

Manufactured in the USA and Germany, our DuoGlass™ Dual Phase Microglass technology provides Beta 1000 efficiencies with a built-in pre-filter layer to reduce initial pressure drops and extend the optimal performance life of your equipment.



Breather Specifications

Body: ABS, Nylon, Polypropylene, Buna

Filter Media: DuoGlass™ Media

Filter Efficiency: 1 Micron Absolute

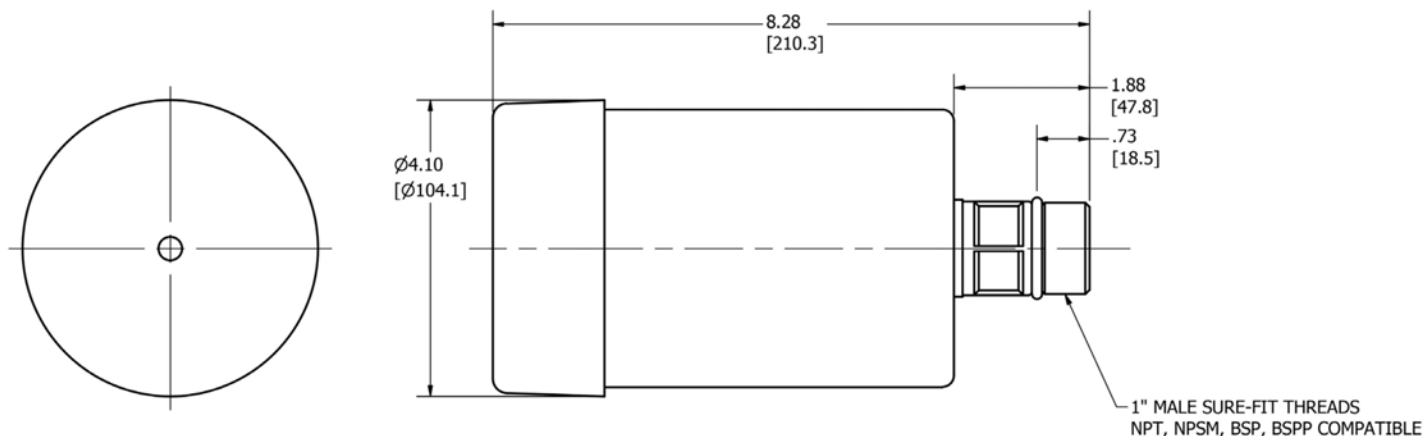
Operating temperatures:

■ -20 F to 200 F

■ -29 C to 93 C

Top TT-ND Applications

- Chemical Processing Equipment
- Hydraulic Fluid Reservoirs
- Oil Mist Generating Systems
- Marine Equipment
- Bulk Fuel Tanks
- Vacuum Systems
- Systems in High-Humidity Environments



TT-4-ND Non-Desiccant Breather

TTI's non-desiccant breather is the ideal choice for applications with environmental, chemical compatibility, or moisture absorption concerns that negate the effectiveness of traditional desiccant breathers.

Manufactured in the USA and Germany, our DuoGlass™ Dual Phase Microglass technology provides Beta 1000 efficiencies with a built-in pre-filter layer to reduce initial pressure drops and extend the optimal performance life of your equipment.



Breather Specifications

Body: ABS, Nylon, Polypropylene, Buna

Filter Media: DuoGlass™ Media

Filter Efficiency: 1 Micron Absolute

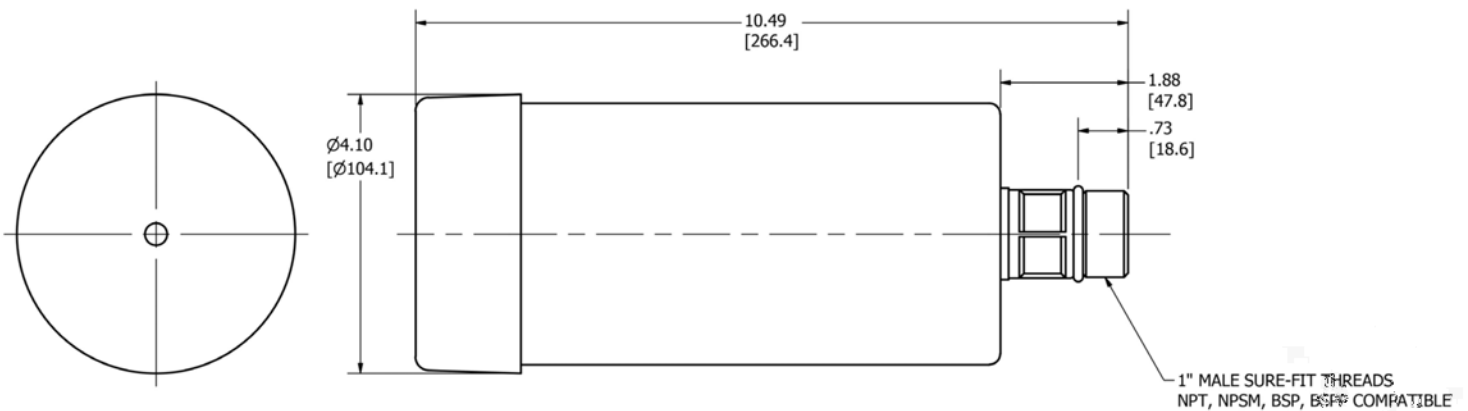
Operating temperatures:

■ -20 F to 200 F

■ -29 C to 93 C

Top TT-ND Applications

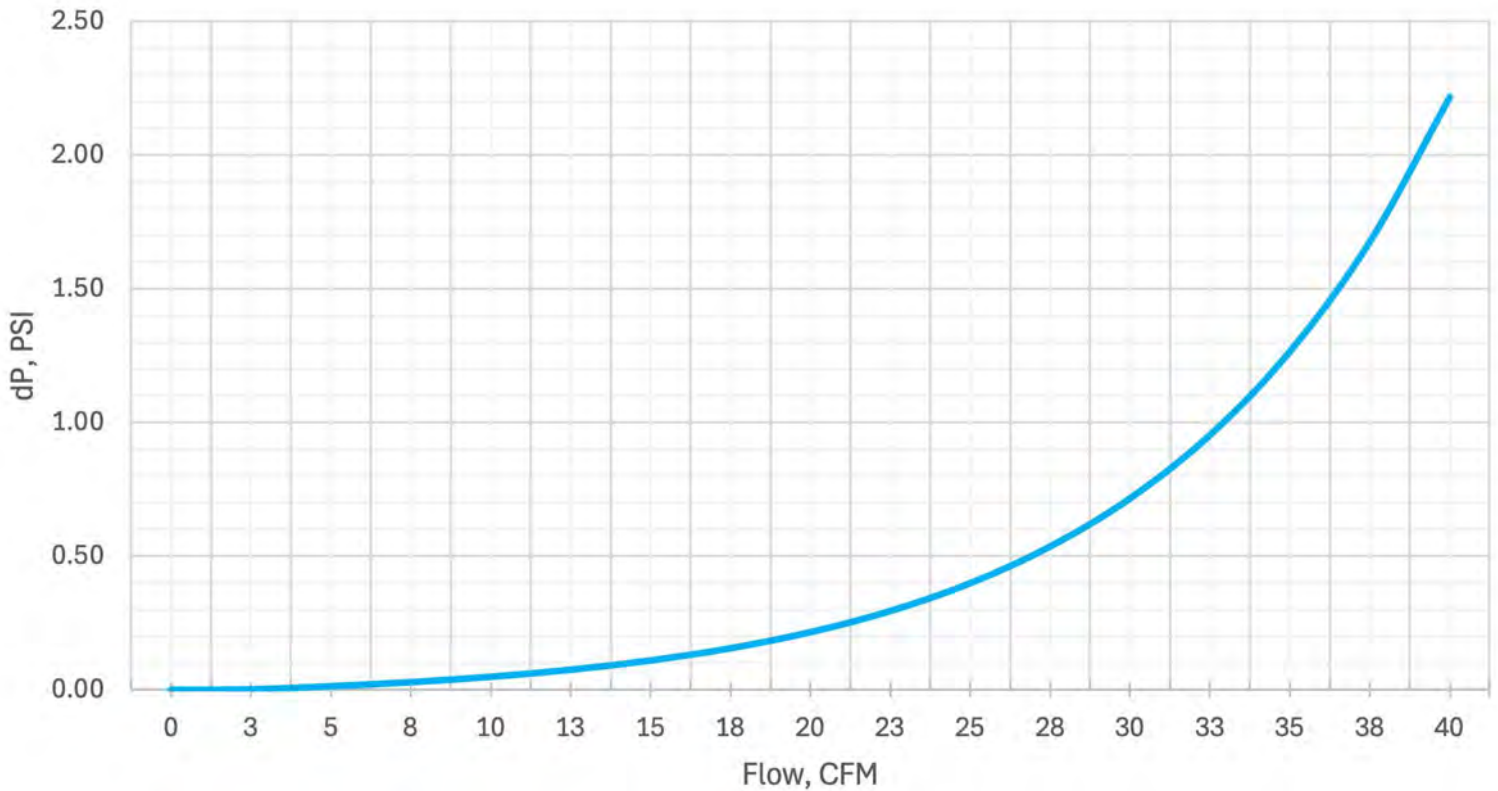
- Chemical Processing Equipment
- Hydraulic Fluid Reservoirs
- Oil Mist Generating Systems
- Marine Equipment
- Bulk Fuel Tanks
- Vacuum Systems
- Systems in High-Humidity Environments



TT-ND Non-Desiccant Breather Line Dimensions

Model	Connection	Height	Width
TT-2-ND	1" Sure-Fit (NPT, BSPP, NPSM)	6.11" (15.52 cm)	4.10" (10.41 cm)
TT-3-ND	1" Sure-Fit (NPT, BSPP, NPSM)	8.28" (21.03 cm)	4.10" (10.41 cm)
TT-4-ND	1" Sure-Fit (NPT, BSPP, NPSM)	10.38" (26.37 cm)	4.10" (10.41 cm)

TT-ND Flow Chart: Air at 68F / 20C



TTI Team Members Are Always Available to Help



Derek Kula

**VP of Business Development: MLT 1
US Office**

Cell: +1 949 335 2438

Email: derek@toddtechinc.com



Christian Stapen

**Account Manager, North America: MLT 1
US Office**

Cell: +1 303 638 7939

Email: christian@toddtechinc.com



Hans J Rauch

VP of Global Sales & Marketing

Cell: +49 (0)160 9114 5292

Email: hans-j.rauch@toddtechinc.com



Ellina Buchen

**Business Development Manager, Europe
EU Office**

Cell: +49 (0)175 850 5501

Email: ellina@toddtechinc.com



PERFECT FILTRATION (Pty) Ltd

Lubrication Management, Oil Filtration and Electrical Services